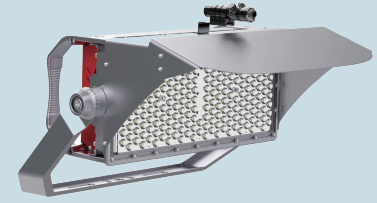


PFM-P Series LED Sport Lights

LED 400-2400W	56,000-336,000lm
140-150lm/W Efficiency	100-277V / 277-480V
Type 4X,IP66	-40 °C ~ +55 °C
Heavy Industry	Wet & Corrosive Location



Model	Lumens	Wattage	Lumens per Watt	Equivalent HID Luminaire
PFM-P-400W	56000	400W	140	—
PFM-P-500W	70000	500W	140	—
PFM-P-800W	112000	800W	140	—
PFM-P-1000W	140000	1000W	140	—
PFM-P-1200W	168000	1200W	140	—
PFM-P-1500W	210000	1500W	140	—
PFM-P-1600W	224000	1600W	140	—
PFM-P-2000W	280000	2000W	140	—
PFM-P-2400W	336000	2400W	140	—



Applications

- Usage by application: gym, seaport, parking lot, high mast, square, statue, venue, bridge, monument, museum, airport, carport, garage, basement and marine.
- Usage by physical places: can be on the ground or steel bracket, steel structure, wet locations, wall areas, high mast bracket, off-court areas and other areas with or without based frame or plates, where corrosive, wet, dusty condition exists.
- Sport court can be held recreational competitions and professional match, for most general recreational sport courts, 75 to 200 lux is required, depends on the square meters of sport court, for example, when the sport court is 100 square meters, the required lumens should be 7,500 to 20,000 lumens. PFM-P series led sport flood light provide 56,000 to 336,000 lumens option for your sport court based on your actual square meters.
- Sporting facility, Stadium, Container loading area, Shipping yard, Flood and area lighting, High mast roadway, Airport, Industrial lighting, Parking lot, Railway, Port, Public square

Features

Born for led sport lights, PFM-P series is an industrial led lights ranging from 56,000 to 336,000 lumen mounted in bracket widely used as gym lighting, airport lighting, led sports lighting, basketball light, basketball court lights, tennis court lighting, football stadium lights, football lights, led gym lighting, baseball field lights, outdoor basketball court lighting, sport court lighting, football field lights, gymnasium lighting, bridge lighting, soccer light, museum of light, pickleball court lighting.

> Fixed bracket mounted with steel or concrete support for precise lighting direction

> Modular lighting housing to adjust the lighting watts through convenient joint

Standard Materials

Housing: Die cast aluminum with anti-corrosion powder coat, grey

Lens: Heat-resistant and impact-resistant tempered glass

Gaskets: Silicone



Technical Datasheet

Rated Voltage	100–277V AC 50/60Hz 277–480V AC 50/60Hz								
Wattage (W)	400W	500W	800W	1000W	1200W	1500W	1600W	2000W	2400W
Lumens (LM)	56000	70000	112000	140000	168000	210000	224000	280000	336000
Color Temperature	6500K/2700K								
IP Grade	Wet Locations, Type 4X, IP66								
Ambient Temperature	–40°C ~ +50°C / –40° F ~ +122° F								
Cable Entry	NPT 3/4" or M25X1.5 (adaptor for M20x1.5, NPT 1" , NPT1 1/2")								
Terminals	Terminal blocks ≤ 2.5mm ² , cable diameter 10–14mm								
Mounting Type	Bracket (Possible wall, ceiling, and block mounting with adjustable angle)								
Beam Angle	120° / 60° / 45° / 30° / 15°								

Catalogue Numbering System

PFM-P-

400



Lamp

400–400W	500–500W
800–800W	1000–1000W
1200–1200W	1500–1500W
1600–1600W	2000–2000W
2400–2400W	

C



Mounting Type

B–Bracket

W



Color Temperature

C–Cool(6500K)
W–Warm(2700K)

1



Beam Angle

0–120°
1–60°
2–45°
3–30°
4–15°

V1

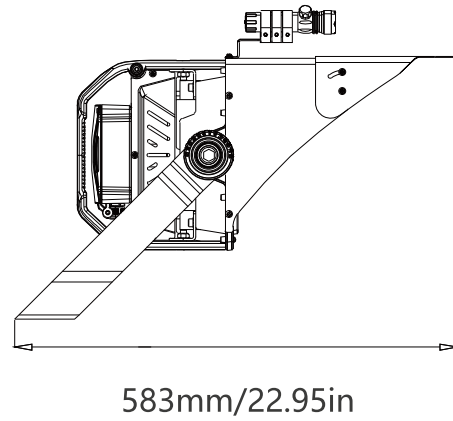
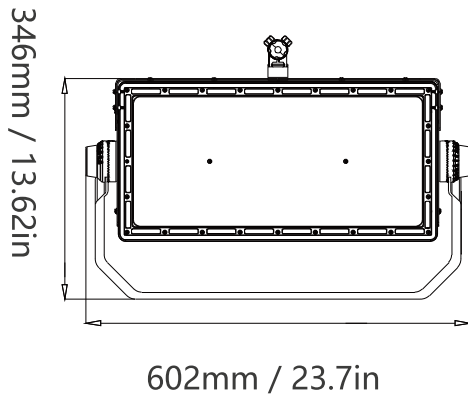


Voltage

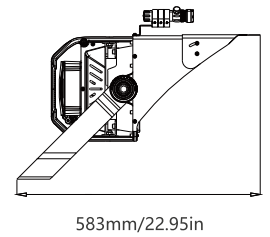
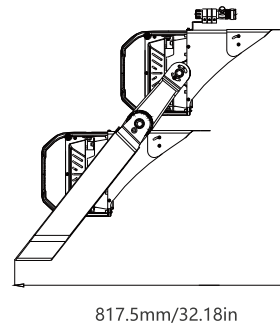
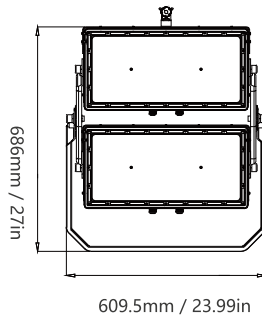
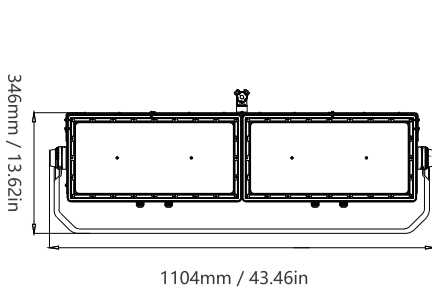
V1:100–277V AC
V2:277–480V AC

Mounting Options & Dimensions (mm/inch)

PFM-P 400-600W



PFM-P 800-1200W



PFM-P 1200-1800W

PFM-P 800-1200W

