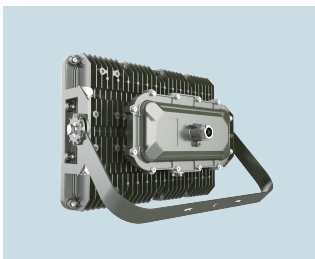


## PFM-A Series Industrial Flood Lights

LED 30-560W	4,200-78,400lm
140lm/W Efficiency	100-277V / 347-480V
Type 4X,IP66	-40 °C ~ +55 °C
Heavy Industry	Wet & Corrosive Location



Model	Lumens	Wattage	Lumens per Watt	Equivalent HID Luminaire
PFM-A-30W	4200	30W	140	70-100W
PFM-A-50W	7000	50W	140	175-250W
PFM-A-60W	8400	60W	140	250-320W
PFM-A-80W	11200	80W	140	320-400W
PFM-A-100W	14000	100W	140	320-400W
PFM-A-120W	16800	120W	140	400W
PFM-A-150W	21000	150W	140	400W-600W
PFM-A-200W	28000	200W	140	750W
PFM-A-240W	33600	240W	140	1000W
PFM-A-300W	42000	300W	140	-
PFM-A-400W	56000	400W	140	-
PFM-A-560W	78400	560W	140	-



### Applications

- Usage by application: Loading dock, warehouse, gym, factory, workshop, seaport, parking lot, high mast, square, statue, venue, bridge, monument, museum, airport, carport, garage, basement and marine.
- Usage by physical places: Industrial flood lights can be on the ground or steel bracket, we, steel structure, wet locations, wall areas, high mast bracket, off-court areas and other areas with or without based frame or plates, where corrosive, wet, dusty condition exists.

### Features

As a traditional industrial flood lights for big opening space, PFM-A series industrial flood lights is made of die-cast aluminum alloy with powder coated surface, led lumen ranges from 4,200 to 78,400 lumen, the industrial led flood lights provide a reliable, durable illumination solution for heavy industry and where corrosive, wet, dusty condition exist. It can be worked as industrial spotlight, waterproof led flood lights, industrial flood light outdoor, spotlights industrial.

- > Die cast large area heat dissipation structure to limit the temperature increasing
- > Adjustable mounted angle with bracket for horizontal installation
- > Assembly housing for two chambers to be used as higher watts floodlight
- > High strength aluminum alloy housing to resist water, mechanical impact, corrosion

### Standard Materials

**Housing:** Die cast aluminum with anti-corrosion powder coat, black

**Lens:** Heat-resistant and impact-resistant tempered glass

**Gaskets:** Silicone



# Technical Datasheet

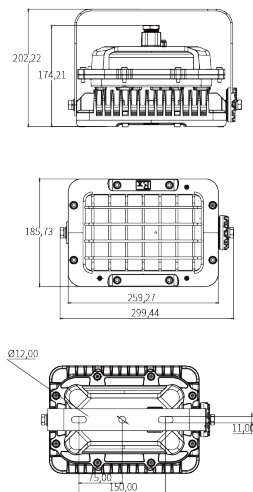
Rated Voltage	100–277V AC 50/60Hz 200–480V AC 50/60Hz					
Wattage (W)	30W	50W	60W	80W	100W	120W
Lumens (LM)	4200	7000	8400	11200	14000	16800
Wattage (W)	150W	200W	240W	300W	400W	560W
Lumens (LM)	21000	28000	33600	42000	56000	78400
Color Temperature	5000K/4000K/3000K					
IP Grade	Wet Locations, Type 4X, IP66					
Ambient Temperature	–40°C~ +55°C / –40° F ~ +131° F					
Cable Entry	NPT 3/4" or M25X1.5 (adaptor for M20x1.5, NPT 1" , NPT1 1/2" )					
Terminals	Terminal blocks ≤ 2.5mm², cable diameter 10–14mm					
Mounting Type	Bracket (Possible wall, ceiling, and block mounting with adjustable angle)					
Beam Angle	120° / 60° / 45° / 30°					

## Catalogue Numbering System

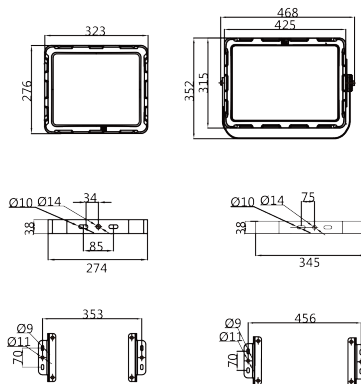
<b>PFM-A-</b>	<b>80</b>	<b>N</b>	<b>C</b>	<b>W</b>	<b>1</b>	<b>V1</b>
	Lamp	Cable Entry	Mounting Type	Color Temperature	Beam Angle	Voltage
30–30W	50–50W	N–NPT 3/4"	C–Ceiling Bracket	C–Cool(5000K)	1–120°	V1:100–277V AC
60–60W	80–80W	M–M25x1.5	W–Wall Bracket	N–Nature(4000K)	2–60°	V2:200–480V AC
100–100W	120–120W			W–Warm(3000K)	3–45°	
150–150W	200–200W				4–30°	
240–240W	300–300W					
400–400W	560–560W					

## Mounting Options & Dimensions (mm/inch)

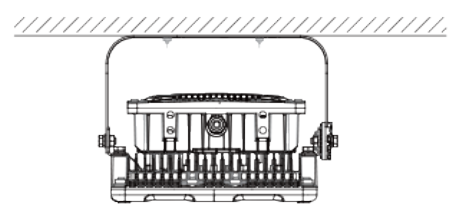
PFM-A 30W–80W



PFM-A 80W–200W



C: Ceiling Bracket Type



W: Wall Bracket Type

