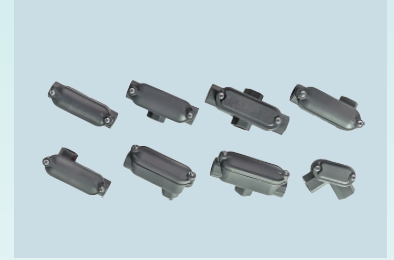


SCB Series Conduit Couplings

Connect hubs with 90° bend
For use in Hazardous Locations



Application

- > SCC series coupling outlet boxes are installed in rigid conduit systems:
- Provide 90° bend for branch conduit
- Connect conduit ends from different directions
- Pull and splice for cable conductors
- Offer mounting outlets for luminaires
- Hide exposed cable conductors in sealing condition
- Connect inner lengths for conduit
- Provide access for cable conductors when maintenance needs and future replacement
- > Classified and hazardous locations where flammable vapors, gases, ignitable dusts, fibers or flying are present

Features

- > Designed taped thread to match conduit size for neat, compact installations
- > Electrostatic surface powder finish, grey, and clean surface ease maintenance
- > Superior durability lower replacement cost
- > Seven different kinds of conduit layout arrangement
- > Flameproof joint between body and cover, ensure wire insulation and proper safety protection
- > Silicon sealing cover to reach IP66
- > Suitable thread: Metric thread (M20x1.5-M63x1.5) and NPT thread (NPT1/2" - NPT2")
- > Operating Temperature: -40 °C ~ +100 °C


Standard Material

Aluminum Alloy


Cast iron

Certifications

EN Standard-ATEX

 II 2 G Ex d IIC Gb

Zone 1, Zone 2 Group IIA, IIB and IIC

 II 2 D Ex tb IIIC Db

Zone 21, Zone 22 Group IIIA, IIIB and IIIC

NEC Standard-UL

Class I, Division 1, Group A B C D

Class II, Division 1, Group E F G

Type 4X

IEC Standard-IECEX

Ex d IIC Gb

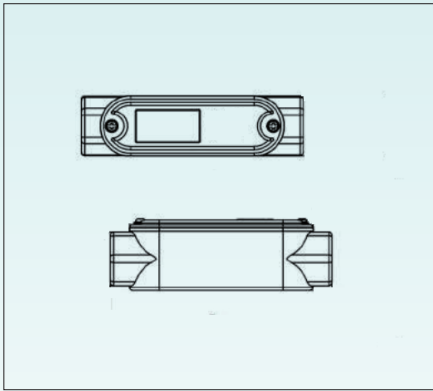
Zone 1, Zone 2 Group IIA, IIB and IIC

Ex tb IIIC Db

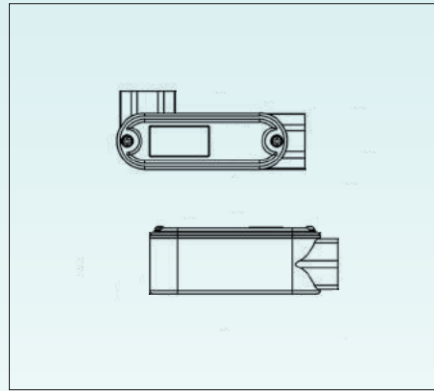
Zone 21, Zone 22 Group IIIA, IIIB and IIIC

Ordering Information

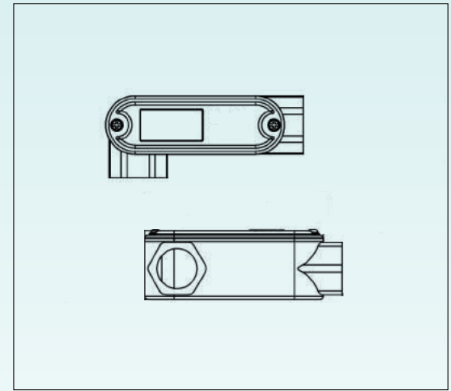
Type A



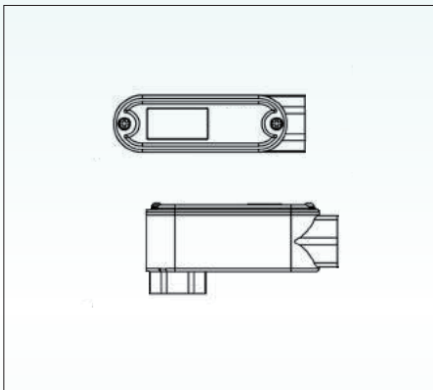
Type B



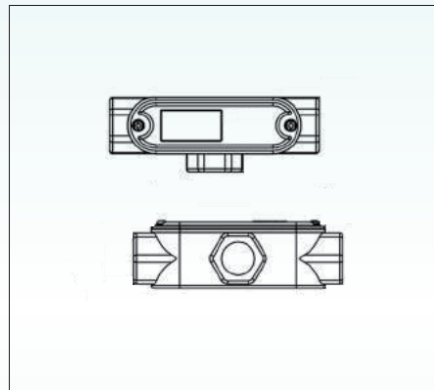
Type C



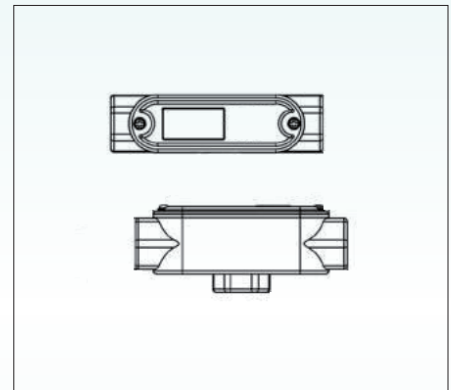
Type D



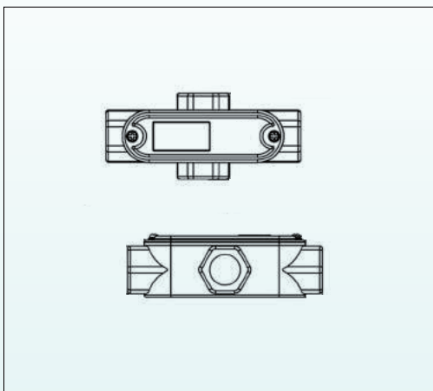
Type E



Type F



Type G



Cat.#	Metric Thread (M)	NPT Thread (N)
SCB-□01M/N	M20x1.5	NPT1/2"
SCB-□02M/N	M25x1.5	NPT3/4"
SCB-□03M/N	M32x1.5	NPT1"
SCB-□04M/N	M40x1.5	NPT1 1/4"
SCB-□05M/N	M50x1.5	NPT1 1/2"
SCB-□06M/N	M63x1.5	NPT2"

*□= Type A,B,C,D,E,F,G

Catalogue Numbering System

SCB-

A

Conduit Direction Type

A-G

01

Thread Code

M20x1.5 – M63x1.5

NPT1/2" – NPT2"

M

Thread Type

M: Metric thread

N: NPT thread