

SCP Series LED Canopy Luminaires

Class I, Div.2, Group A, B, C, D	UL/cUL Listed
Class II, Div. 1, Group E, F, G	IECEX/ATEX/CE
Class III	Simultaneous Presence
Class I, Zone 2, Ex eb op is	Wet Locations, Type 4X, IP66



Model	Luminous Flux(LM)	Wattage	Lumen/Wattage	Equivalent HID luminaire
SCP-40W	4800	40W	120	100-150W
SCP-60W	7200	60W	120	175-250W
SCP-80W	9600	80W	120	250-320W
SCP-100W	12000	100W	120	320-400W
SCP-120W	14400	120W	120	400-600W
SCP-150W	18000	150W	120	600-750W



Applications

- For areas with mounting heights of 10-50ft (3-15m)
- Gas station canopy, CNG fueling station canopy, industrial fueling station canopy, truck stops, low-medium bay canopy
- Locations requiring continuous and consistent light levels in extreme ambient temperatures
- Where extremely corrosive, wet, dusty, hot and/or cold conditions exist; Type 4X, marine, wet locations and hose-down environments
- Classified and hazardous locations

Features

- Flat panel structure, high intensity aluminium alloy housing
- Clear and commercial shape, lightweight ease for installation and maintenance.
- Die cast aluminium housing reduce the temperature rise
- Unique vertical fins at two sides optimize the heat sink performance
- Latest LED Technology: Cree/Nichia high efficiency LED exceed 140lm/w, fixture lumen efficiency exceed 140 lm/w
- Energy-efficient technology: up to 75% energy savings over HID fixtures
- Various mounting option, easy wiring
- Operating Ambient Temperature: -40° C ~ +55° C
- Beam Angel: 120° , 90° , 60° , 40°



International Certifications



IEC Standard

IEC60079-0, IEC60079-2, IEC60079-6,
IEC60079-7, IEC60079-11
Ex eb op is IIB T6/T5 Gc
Ex op is tb IIIC T80°C Db IP66
Zone 2; Zone 21, Zone 22
IP66

NEC & CEC Standard

Class I, Div 2, Group A, B, C, D
Class II, Div.1, Group E, F, G
Class III
Wet Locations, Type 4X, IP66

EU Standard

EN60079-0, EN60079-2, EN60079-6,
EN60079-7, EN60079-11
 II 2 G Ex eb op is IIB T6/T5 Gc
 II 2 D Ex op is tb IIIC T80°C Db IP66
Zone 2; Zone 21, Zone 22
IP66

UL Standard

UL844, UL1598, UL1598A

CSA Standard

CSA C22.2 No.137

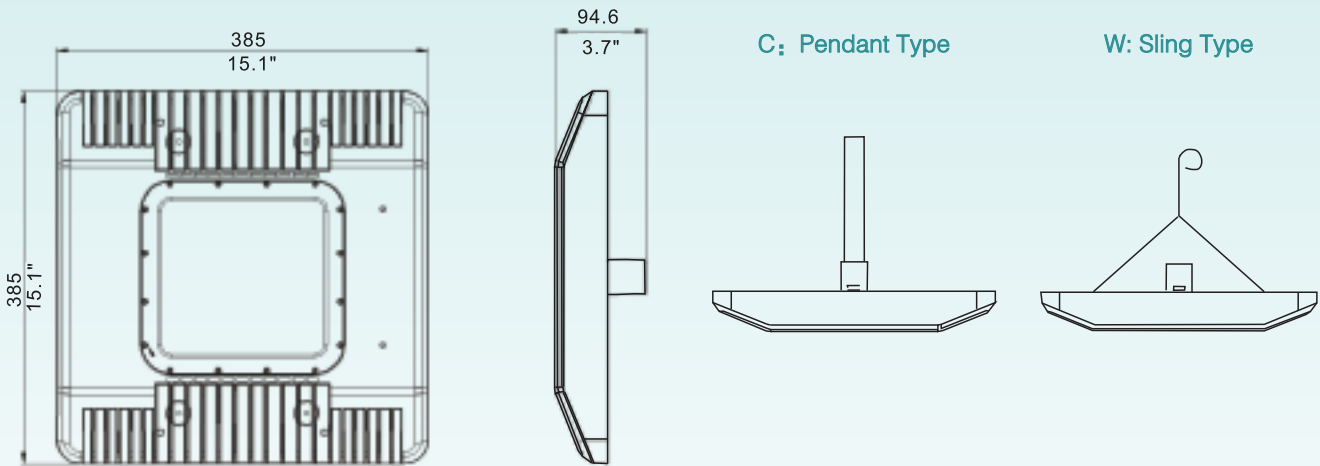
Standard Materials

- Housing: Die cast aluminum with anti-corrosion powder coat, grey
- Lens: Heat-resistant and impact-resistant tempered glass
- Gaskets: Silicone

Technical Datasheet

Classification	Class I, Div 2, Group A, B, C, D Class II, Div.1, Group E, F, G Class III Class I, Zone 2, Ex eb op is					
Standards	IEC60079-0, IEC60079-2, IEC60079-6, IEC60079-7, IEC60079-11 EN60079-0, EN60079-2, EN60079-6, EN60079-7, EN60079-11 UL844, UL1598, UL1598A CSA C22.2 No.137					
Ex-mark	Ex eb op is IIB T6/T5 Gc Ex op is tb IIIC T80°C Db IP66					
Rated Voltage	AC 100-277V 50/60Hz DC 12-36V					
Rated Wattage(W)	40W	60W	80W	100W	120W	150W
Luminous Flux(LM)	4800	7200	9600	12000	14400	18000
Color Temperature	2700K-5000K					
IP Grade	Wet Locations, Type 4X, IP66					
Ambient Temperature	-40° C ~ +55° C / -40° F ~ +131° F					
Cable Entry	M25x1.5 or NPT 3/4"					
Terminals	Terminals blocks ≤ 2.5mm ² , cable diameter 10-14mm					
Installation	Pendant / Sling					
Beam Angle	40° , 60° , 90° , 120°					

Mounting Options & Dimensions (mm/inch)



Catalogue Numbering System

SCP	1x20	C	N	W	V	1
	Lamp	Mounting Type	Cable Entry	Color Temperature	Voltage	Beam angle
	40–40W;	P: Pendant	N–NPT 3/4"	C–Cool(5000K)	V1:100–277V AC	1–120°
	60–60W;	S: Sling	M–M25x1.5	N–Nature(4000K)	V2:12–36V DC	2–90°
	80–80W;			W–Warm(2700K)		3–60°
	100–100W;					4–40°
	120–120W;					
	150–150W					