

SCS Series Conduit Sealing Couplings with Drains Plug

Connect hubs with sealing
For use in Hazardous Locations



Application

> SCS series conduit sealing coupling are installed in conduit system to reduce accumulation of condensate inside the conduit

- In vertical direction of conduit
- At low points in conduit system

> Classified and hazardous locations where flammable vapors, gases, ignitable dusts, fibers or flying are present

Features

- > Limit mechanical explosion impact from the sealed couplings inside to outside
- > Control the overloading pressure and pre-compression in conduit system
- > Restrict the passage of gases, vapors or flames from one portion of the electrical installation to another
- > SCS-B series conduit sealing couplings with drain plug offer continuous automatic drainage of condensate
- > Ensure conductor or cable insulation from damage
- > Designed taped thread to ease the access for conduit connection
- > Electrostatic surface powder finish, grey, and clean surface ease maintenance
- > Suitable thread: Metric thread (M20x1.5-M63x1.5) and NPT thread (NPT1/2" - NPT2")
- > Operating Temperature:-40°C ~+100°C

Standard Material

- > Aluminum Alloy
- > Cast iron
- > Stainless steel

Certifications

EN Standard-ATEX

II 2 G Ex d IIC Gb
Zone 1, Zone 2 Group IIA, IIB and IIC

II 2 D Ex tb IIIC Db
Zone 21, Zone 22 Group IIIA, IIIB and IIIC

IEC Standard-IECEX

Ex d IIC Gb
Zone 1, Zone 2 Group IIA, IIB and IIC
Ex tb IIIC Db

Zone 21, Zone 22 Group IIIA, IIIB and IIIC

NEC Standard-UL

Class I, Division 1, Group A B C D
Class II, Division 1, Group E F G
Type 4X

Catalogue Numbering System

SCS-

A1

Conduit Direction Type

A1,A2,B,C

01

Thread Code

M20x1.5 – M63x1.5

NPT1/2" – NPT2"

M

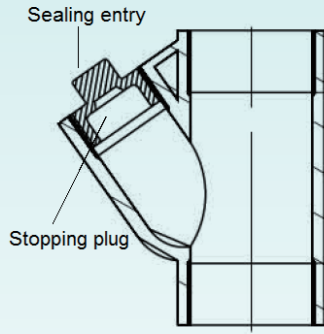
Thread Type

M: Metric thread

N: NPT thread

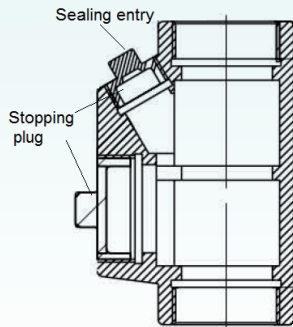
Ordering Information

Type A1



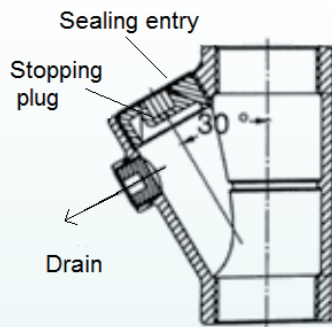
Cat. #	Metric Thread (M)	NPT Thread(N)
SCS-A1-01M/N	M20x1.5	NPT1/2"
SCS-A1-02M/N	M25x1.5	NPT3/4"
SCS-A1-03M/N	M32x1.5	NPT1"
SCS-A1-04M/N	M40x1.5	NPT1 1/4"
SCS-A1-05M/N	M50x1.5	NPT1 1/2"
SCS-A1-06M/N	M63x1.5	NPT2"

Type A2



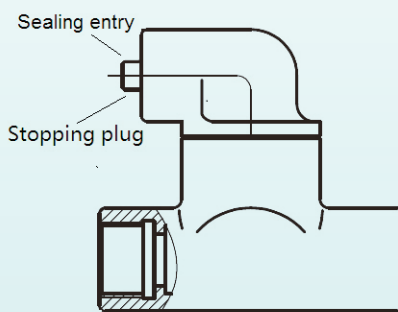
Cat. #	Metric Thread (M)	NPT Thread(N)
SCS-A2-01M/N	M20x1.5	NPT1/2"
SCS-A2-02M/N	M25x1.5	NPT3/4"
SCS-A2-03M/N	M32x1.5	NPT1"
SCS-A2-04M/N	M40x1.5	NPT1 1/4"
SCS-A2-05M/N	M50x1.5	NPT1 1/2"
SCS-A2-06M/N	M63x1.5	NPT2"

Type B



Cat. #	Metric Thread (M)	NPT Thread(N)
SCS-B-01M/N	M20x1.5	NPT1/2"
SCS-B-02M/N	M25x1.5	NPT3/4"
SCS-B-03M/N	M32x1.5	NPT1"
SCS-B-04M/N	M40x1.5	NPT1 1/4"
SCS-B-05M/N	M50x1.5	NPT1 1/2"
SCS-B-06M/N	M63x1.5	NPT2"

Type C



Cat. #	Metric Thread (M)	NPT Thread(N)
SCS-C-01M/N	M20x1.5	NPT1/2"
SCS-C-02M/N	M25x1.5	NPT3/4"
SCS-C-03M/N	M32x1.5	NPT1"
SCS-C-04M/N	M40x1.5	NPT1 1/4"
SCS-C-05M/N	M50x1.5	NPT1 1/2"
SCS-C-06M/N	M63x1.5	NPT2"