

SEE-S Series Explosion Proof Enclosure

Class I Division 2, Group A, B, C, D	Zone 1, Zone 2
Class II Division 1, Group E, F, G	Zone 21, Zone 22
Class III	Type 4X, IP66
Ex e IIC T6 Gb	Max.250A
Ex tb IIIC T80°C Db IP66	

Applications

- Usage by application: Depends on the application field, explosion proof enclosure can be used in production plants relative to crude oil, fuel gas and liquefied petroleum gas and gas storage plants and anywhere flammable gas, vapor, mist and dust present.
- Function: To put electrical components included but are not limited to circuit breakers, buttons, indicators, relays, terminal blocks in an explosion enclosed protected housing for the relative functions for electrical components in explosive atmosphere.

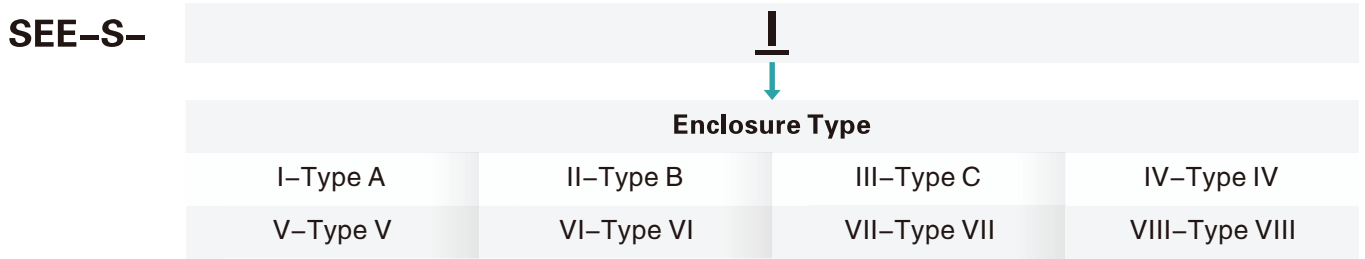
Features

- To resist high corrosive environment and withstand mechanical impact, SEE-S series explosion proof enclosure is made from stainless steel 304 or 316 with increased safety protection to be applied as hazardous location enclosure and ex n enclosure. Along with terminal blocks, it can reach the features of explosion proof junction box or stainless steel junction box, installed with db box components, it can work as explosion proof panel or class 1 div 2 miniature circuit breaker. It becomes explosion proof battery enclosure based on inbuilt battery.
 - ➡ Increased safety Ex e stainless steel housing with dead four-way cable entries
 - ➡ Excellent factory sealed performance for stainless steel housing and cover

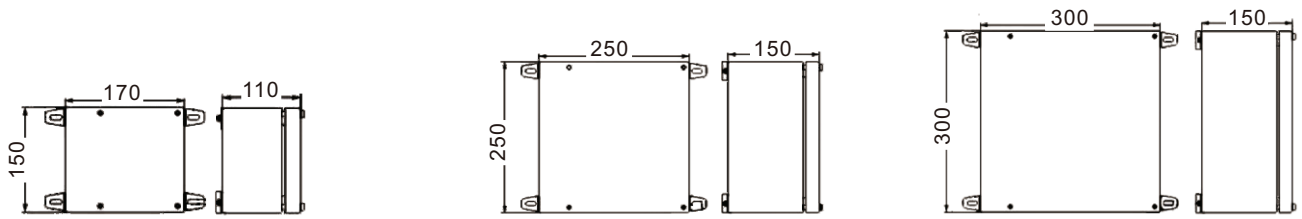
Technical Datasheet

	IEC Standard	EU Standard	NEC & CEC Standard
Compliances	IEC60079-0, IEC60079-7, IEC60079-31 Ex e IIC Gb Ex tb IIIC Db IP66 Zone 1, Zone 2 Zone 21, Zone 22	EN60079-0, EN60079-7, EN60079-31 ⚠ II 2 G Ex e IIC Gb ⚠ II 2 D Ex tb IIIC Db IP66 Zone 1, Zone 2 Zone 21, Zone 22	Class I, Div.2, Group A, B, C, D Class II, Div.1, Group E, F, G Class III
Material	Stainless Steel		
Rated Current	Max.250A		
IP Grade	Wet Locations, Type 4X, IP66		
Ambient Temperature	-40°C ~ +55°C / -40° F ~ +131° F		
Type	I / II / III / IV / V / VI / VII / VIII		

Catalogue Numbering System



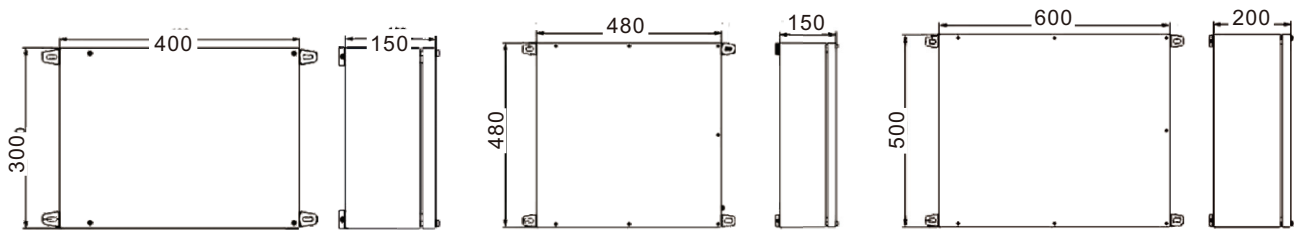
Mounting Options & Dimensions (mm/inch)



Type I

Type II

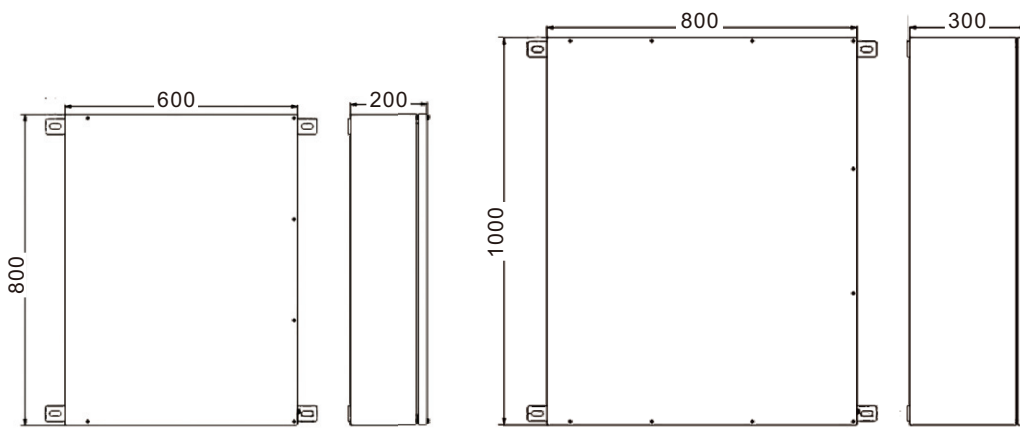
Type III



Type IV

Type V

Type VI



Type VII

Type VIII