

SES Series LED Exit Signs Luminaires

Class I, Div.1, Group A, B, C, D Hazardous Locations
 Class II, Div.1, Group E, F, G Wet Locations, Type 4X, IP 66
 Class III
 Zone 1&2; Zone21&22



Applications

- In area requiring illumination for directional exit signs and distinct, highly visible exit marking
- Classified and hazardous locations where flammable gases, vapors or combustible dust and fibers present

Features

- Factory-sealed die-cast aluminum housing, to resist to corrosion, impact
- Long life LED lamp with high brightness light for exit direction
- Edge lighting of exit sign panel, made of impact-resistant acrylic, excellent visibility with no guard, easing the cleaning
- “EXIT” legend with alternative wings, right, left, left and right, stand out boldly and clearly, simple modification for any letters and images
- Heavy-duty nickel cadmium battery or Ni-MH battery, emergency lighting at 5W LED for 120min 180min
- Self-test, monitoring and diagnostics device to ease the maintenance
- Ceiling mounting, wall mounting and pendant mounting for option

Technical Datasheet

Ex-mark	Ex d e IIC T6 Gb Ex tD IIIB A21 T80°C Db IP66
Rated Voltage	AC 90-265V 50/60Hz, DC 12/24/36V
Rated Wattage(W)	5W LED
Emergency Duration	120min or 180min
Battery Specification	Nickel Cadmium battery or Ni-MH battery
IP Grade	IP66
Ambient Temperature	-20° C ~ +40° C / -4° F ~ +104° F
Cable Entry	NPT1/2” or NPT3/4” or M25 × 1.5
Terminals	Wires ≤ 2.5mm ²
Installation	Wall/Pendant
Weight	2Kg

Compliances

IEC Standard

IEC60079-0, IEC60079-1

Ex d e IIC T6 Gb

Ex tD A21 T80°C Db IP66


Zone 1, Zone 2; Zone 21, Zone 22

IP66

EU Standard

EN60079-0, EN60079-1

 II 2 G Ex d e IIC T6 Gb

 II 2 D Ex tD A21 T80°C Db IP66

Zone 1, Zone 2; Zone 21, Zone 22

IP66

NEC & CEC Standard

Class I, Div 1, Group A, B, C, D

Class II, Div 1, Group E, F, G

Class III

Wet Locations, Type 4X

IP66

UL Standard

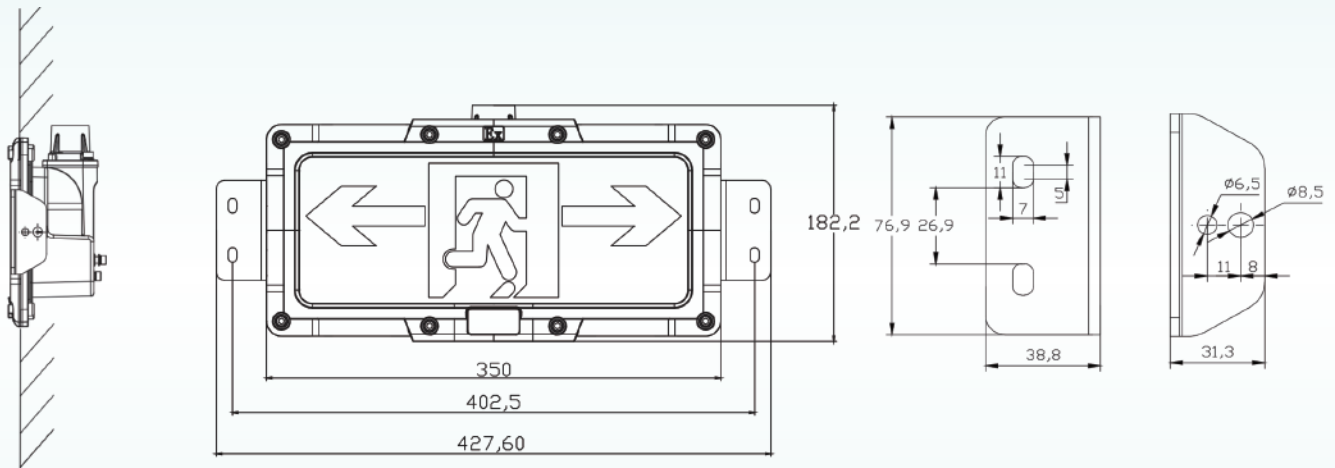
UL844, UL1598, UL1598A

CSA Standard

CSA C22.2 No.137



Mounting Options & Dimensions (mm)



Panel Designing



A Type



B Type



C Type



D Type



E Type



F Type