

SHB Series LED High Bay Luminaires

Class I, Div.1, Group A, B, C, D Hazardous Locations
 Class II, Div.1, Group E, F, G Wet Locations, Type 4X, IP 66
 Class III, Group E, F, G
 Zone 1&2; Zone 21&22



Model	Typical Lumens	Wattage	Lumen/Wattage	Equivalent HID luminaire
SHB-30W	3600	30W	120	70-100W
SHB-50W	6000	50W	120	100-150W
SHB-80W	9600	80W	120	175-250W
SHB-100W	12000	100W	120	320-400W
SHB-120W	14400	120W	120	400W
SHB-150W	18000	150W	120	400-600W
SHB-200W	24000	200W	120	600-750W
SHB-240W	28800	240W	120	750-1000W



Applications

- For areas with mounting heights of 10-66 feet/3-20m
- Oil and gas refineries, drilling rigs, petrochemical facilities, food and beverage facilities, platforms, loading docks, tunnels, indoor/outdoor spotlighting, outdoor wall and stanchion mounted general area lighting, and where flammable vapors, gases, ignitable dusts, fibers or flying are present
- Locations requiring continuous and consistent light levels in extreme ambient temperatures
- Where extremely corrosive, wet, dusty, hot and/or cold conditions exist
- Classified and hazardous locations

Features

- Instant illumination and restrike, cold temperature operation/no warm-up required
- Independent chamber for LED module, driver and wiring, high reliability and easy installation and maintenance
- Latest LED Technology: Brand-new high efficiency LED exceed 140lm/w, fixture lumen efficiency exceed 115 lm/w
- High Reliability Driver: Meanwell brand driver, high reliability, efficiency exceed 98%, design for harshest environment
- Energy-efficient technology-up to 75% energy savings over HID fixtures
- Excellent Heat Sink Dissipation Performance: Lower LED and driver temperature, longer service life
- Wireless Connection: all mounting modules are wireless connected to junction box, easy installation and maintenance
- Various Mounting Option: 7 types of mounting options, easy wiring
- Operating Ambient Temperature: -40°C ~ +55°C

Compliances

IEC Standard

IEC60079-0, IEC60079-1, IEC60079-31, IEC60598-2-1

Ex d IIC T5 Gb

Ex tb IIIC T100°C Db IP66


Zone 1, Zone 2

Zone 21, Zone 22

IP66

EU Standard

EN60079-0, EN60079-1, EN60079-31, EN60598-2-1

 II 2 G Ex d IIC T5 Gb

 II 2 D Ex tb IIIC T100°C Db IP66

Zone 1, Zone 2

Zone 21, Zone 22

IP66

NEC & CEC Standard

Class I, Div 1, Group A, B, C, D

Class II, Div.1, Group E, F, G

Class III

Wet Locations, Type 4X, IP66

UL Standard

UL844, UL1598, UL1598A

CSA Standard

CSA C22.2 No.137

Standard Materials

- Lamp housing and adapter – die cast aluminum with anti-corrosion powder coat
- Lens – heat-resistant and impact-resistant tempered glass
- Gaskets – silicone
- External hardware – carbon steel or stainless steel
- Factory-sealed, no external seals required

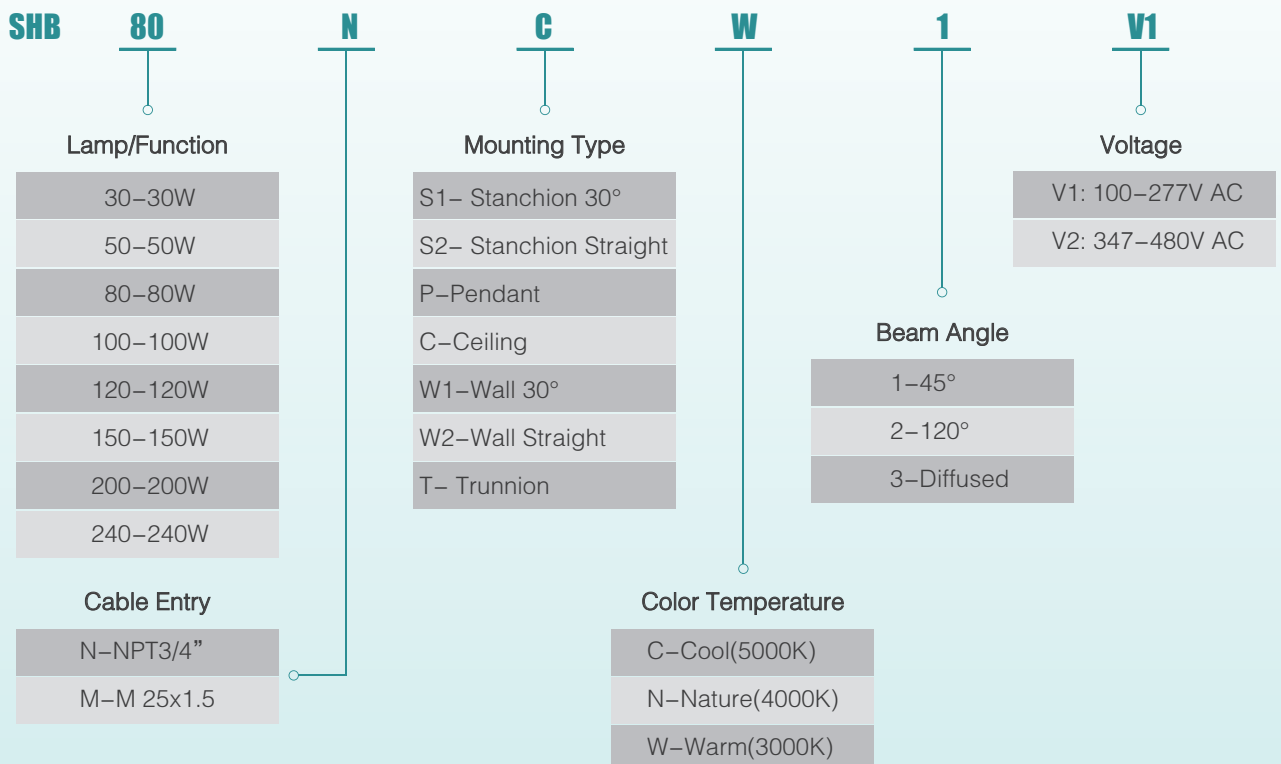
LED System

- High intensity discrete power emitters
- Standard: cool white (5000K); optional: warm white (3000K); nature white(4000K)
- Brand-new LED chips

LED Driver

Input Voltage	100–277V AC 50/60Hz,	
	347–480V AC 50/60Hz	
THD	<20%	
Power Factor	0.98 (220V/full load)	
Protection	Short Circuit/Over Voltage/Over Heat	
	Over Heat/Surge Protection	
	Surge Protection	Line to line 4KV Line to earth 10KV
IP	IP66	

Catalogue Numbering System

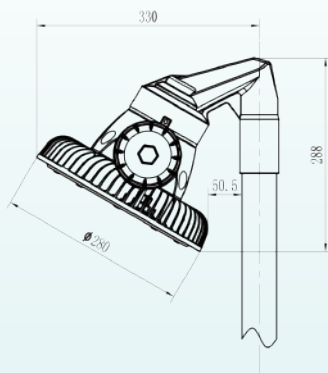


Technical Datasheet

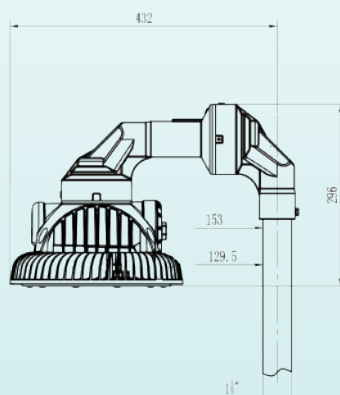
Classification	Class I,Div.1,Group A, B, C, D Class I,Div.1,Group E, F, G Class III Zone 1&2;Zone 21&22							
Standards	IEC60079-0, IEC60079-1, IEC60079-31, IEC60598-2-1 EN60079-0, EN60079-1, EN60079-31, EN60598-2-1 UL844, UL1598, UL1598A CSA C22.2 No.137							
Ex-mark	II 2 G Ex d IIC T5 Gb II 2 D Ex tb IIIC T100°C Db IP66							
Rated Voltage	100-277V AC 50/60Hz 347-480V AC 50/60Hz							
Rated Wattage(W)	30W	50W	80W	100W	120W	150W	200W	240W
Luminous Flux(LM)	3600	6000	9600	12000	14400	18000	24000	28800
Color Temperature	5000K / 4000K/ 3000K							
IP Grade	Wet Locations, Type 4X, IP66							
Ambient temperature	-40°C~ +55°C /-40° F ~ +131° F							
Cable Entry	NPT 3/4" or M25X1.5 (adaptor for M20x1.5, NPT 1" , NPT1 1/2")							
Terminals	terminal blocks ≤2.5mm ² , cable diameter 10-14mm							
Installation	Stanchion 30° / Stanchion Straight/ Pendant/ Ceiling/ Wall 30° / Wall Straight/ Trunion							
Beam Angle	45° /120° /Diffused							

Mounting Options & Dimensions (mm/inch)

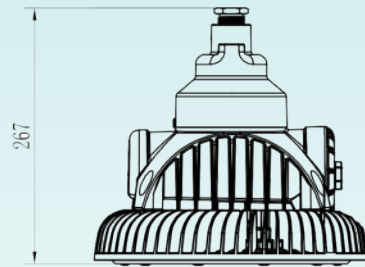
S1:Stanchion 30°



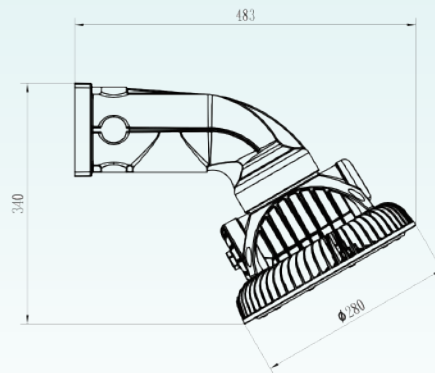
S2: Stanchion Straight



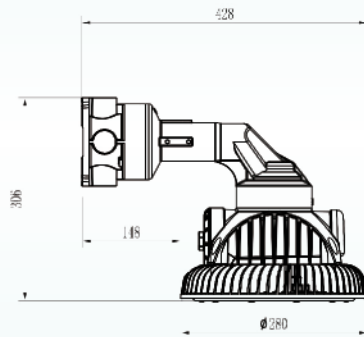
P: Pendant



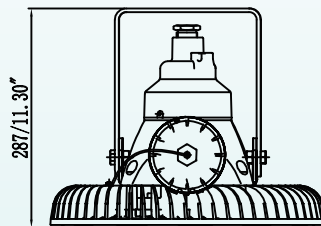
W1: Wall 30°



W2: Wall Straight



T: Trunnion



C: Ceiling

