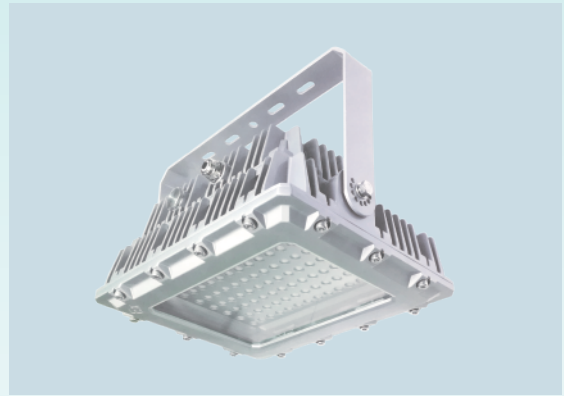


SHF-IA Series LED Floodlight

Class I, Div.1, Group A, B, C, D Hazardous Locations
 Class II, Div.1, Group E, F, G
 Class III Wet Locations, Type 4X, IP 66
 Zone 1&2; Zone 21&22



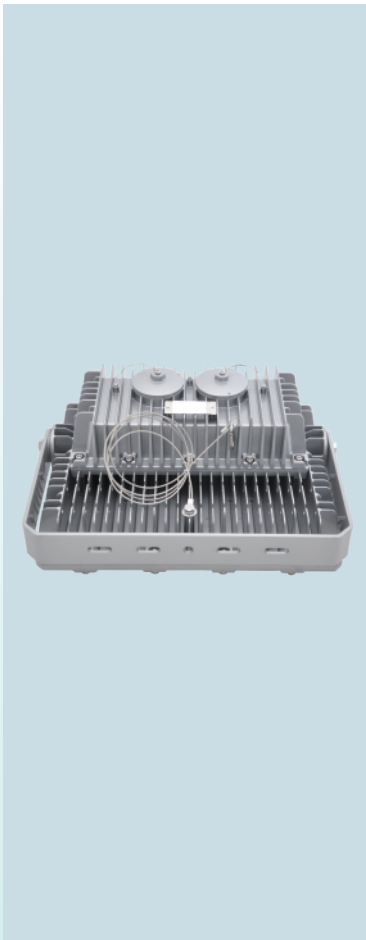
Model	Luminous Flux(LM)	Wattage	Lumen/Wattage	Equivalent HID luminaire
SHF-IA-20W	2600	20W	130	70-100W
SHF-IA-40W	5200	40W	130	100-150W
SHF-IA-60W	7800	60W	130	175-250W
SHF-IA-80W	10400	80W	130	320-400W
SHF-IA-100W	13000	100W	130	400W
SHF-IA-120W	15600	120W	130	400-600W
SHF-IA-150W	19500	150W	130	600-750W
SHF-IA-200W	26000	200W	130	750-1000W

Applications

- For areas with mounting heights of 10-50ft (3-15m)
- Oil and gas refineries, drilling rigs, petrochemical facilities, land-based and offshore rigs, mining, areas include derrick, mast, SCR house, top drive, operator's house, power and pump stations, and where flammable vapors, gases, ignitable dusts, fibers or flying are present
- Locations requiring continuous and consistent light levels in extreme ambient temperatures
- Where extremely corrosive, wet, dusty, hot and/or cold conditions exist; Type 4X, marine, wet locations and hose-down environments
- Classified and hazardous locations

Features

- Instant illumination and restrike, cold temperature operation/no warm-up required
- Independent chamber for LED module, driver and wiring, high reliability and easy installation and maintenance
- Latest LED Technology: Cree/Nichia high efficiency LED exceed 130lm/w, fixture lumen efficiency exceed 140 lm/w
- High Reliability Driver: high reliability, efficiency exceed 98%, design for harshest environment
- Energy-efficient technology: up to 75% energy savings over HID fixtures
- Excellent Heat Sink Dissipation Performance: Lower LED and driver temperature, longer service life
- Operating Ambient Temperature: -40° C ~ +55° C
- Beam Angel: standard diffused, 40° , 60° ,90° , 120° for option
- With stainless steel safety rope





Compliances

IEC Standard

IEC60079-0, IEC60079-1, IEC60079-31, IEC60079-2-1
 Ex d IIC T6 Gb
 Ex tb IIIC T80°C Db IP66
 Zone 1, Zone 2; Zone 21, Zone 22
 IP66

EU Standard

EN60079-0, EN60079-1, EN60079-31, EN60079-2-1
 II 2 G Ex d IIC T6 Gb
 II 2 G Ex tb IIC T80°C Db IP66
 Zone 1, Zone 22; Zone 21, Zone 22
 IP66

NEC & CEC Standard

Class I, Div.1, Group A, B, C, D
 Class II, Div. 1, Group E, F, G
 Class III
 Wet Locations, Type 4X, IP66

UL Standard

UL844, UL1598, UL1598A

CSA Standard

CSA C22.2 No.137

Standard Materials

- Lamp housing and adapter – die cast aluminum with anti-corrosion powder coat
- Lens – heat-resistant and impact-resistant tempered glass
- Gaskets – silicone
- External hardware – carbon steel or stainless steel
- Factory sealed, no external seals required

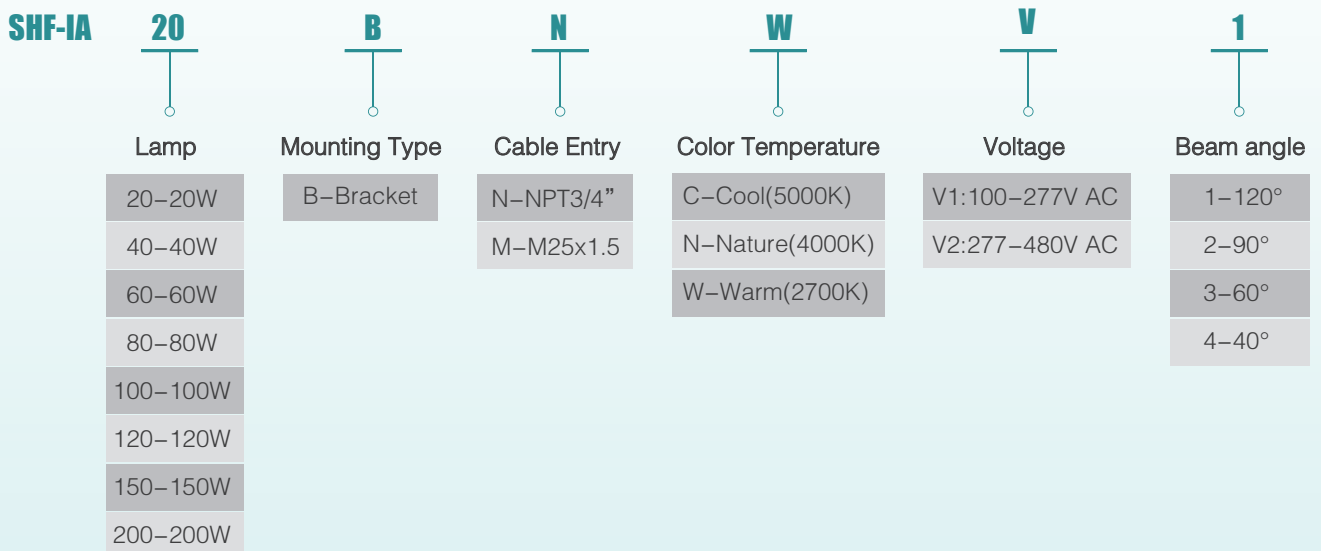
LED System

- High intensity discrete power emitters
- Standard: cool white (5000K); optional: warm white (3000K); nature white(4000K)
- Brand-new LED chips

LED Driver

Input Voltage	100–277V AC 50/60Hz,	
	277–480V AC 50/60Hz	
THD	<20%	
Power Factor	0.98 (220V/full load)	
Protection	Short Circuit/Over Voltage/Over Heat	
	Surge Protection	Line to line 4KV
		Line to earth 10KV
IP	IP66	

Catalogue Numbering System



Technical Datasheet

Classification	Class I,Div.1,Group A,B,C,D Class II,Div.1,Group E,F,G Class III Zone 1&2;Zone 21&22							
Standards	IEC60079-0, IEC60079-1, IEC60079-31, IEC60598-2-1 EN60079-0, EN60079-1, EN60079-31, EN60598-2-1 UL844, UL1598, UL1598A CSA C22.2 No.137							
Ex-mark	II 2 G Ex d IIC T6 Gb II 2 G Ex tb IIC T80°C Db IP66							
Rated Voltage	100-277V AC 50/60Hz 277-480V AC 50/60Hz							
Rated Wattage(W)	20W	40W	60W	80W	100W	120W	150W	200W
Luminous Flux(LM)	2600	5200	7800	10400	13000	15600	19500	26000
Color Temperature	2900K-5000K							
IP Grade	Wet Locations, Type 4X, IP66							
Ambient Temperature	-40° C ~ +55° C / -40° F ~ +131° F							
Cable Entry	M25*1.5 or NPT3/4"							
Terminals	Terminals blocks ≤2.5mm ² , cable diameter 10-14mm							
Installation	Bracket							

Mounting Options & Dimensions (mm/inch)

