

SHF-IIA Series LED Floodlight

Class I, Div.2, Group A, B, C, D Hazardous Locations
 Class II, Div.1, Group E, F, G Wet Locations, Type 4X, IP66
 Class III
 Zone 2; Zone 21&22



Model	Luminous Flux(LM)	Wattage	Lumen/Wattage	Equivalent HID luminaire
SHF-IIA-20W	2800	20W	140	70-100W
SHF-IIA-40W	5600	40W	140	100-150W
SHF-IIA-60W	8400	60W	140	175-250W
SHF-IIA-80W	11200	80W	140	320-400W
SHF-IIA-100W	14000	100W	140	400W
SHF-IIA-120W	16800	120W	140	400-600W
SHF-IIA-150W	21000	150W	140	600-750W
SHF-IIA-200W	28000	200W	140	750-1000W
SHF-IIA-250W	35000	250W	140	1000W
SHF-IIA-300W	45000	300W	140	-
SHF-IIA-350W	49000	350W	140	-
SHF-IIA-400W	56000	400W	140	-



Applications

- For areas with mounting heights of 10-50ft (3-15m)
- Oil and gas refineries, drilling rigs, petrochemical facilities, land-based and offshore rigs, mining, areas include derrick, mast, SCR house, top drive, operator's house, power and pump stations, and where flammable vapors, gases, ignitable dusts, fibers or flying are present
- Locations requiring continuous and consistent light levels in extreme ambient temperatures
- Where extremely corrosive, wet, dusty, hot and/or cold conditions exist; Type 4X, marine, wet locations and hose-down environments
- Classified and hazardous locations

Features



- Instant illumination and restrike, cold temperature operation/no warm-up required
- Independent chamber for LED module, driver and wiring, high reliability and easy installation and maintenance
- Latest LED Technology: Cree/Nichia high efficiency LED exceed 160lm/w, fixture lumen efficiency exceed 140 lm/w
- High Reliability Driver: high reliability, efficiency exceed 98%, design for harshest environment
- Energy-efficient technology: up to 75% energy savings over HID fixtures
- Excellent Heat Sink Dissipation Performance: Lower LED and driver temperature, longer service life
- Operating Ambient Temperature: -40° C ~ +55° C
- Beam Angel: standard diffused, 40° , 60° ,90° , 120° for option

Compliances

IEC Standard

IEC60079-0, IEC60079-1, IEC60079-31, IEC60079-2-1
 Ex ec IIC T6/T3 Gc
 Ex tb IIIC T85°C/T103°C Db IP66
 Zone 2; Zone21, Zone 22
 IP66

EU Standard

EN60079-0, EN60079-1, EN60079-31, EN60079-2-1
 II 3G Ex ec IIC T6/T3 Gc
 II 2D Ex tb IIIC T85°C/T103°C Db IP66
 Zone 2; Zone 21, Zone 22
 IP66

NEC & CEC Standard

Class I, Div.2, Group A, B, C, D
 Class II, Div.1, Group E, F, G
 Class III
 Wet Locations, Type 4X, IP66

UL Standard

UL844, UL1598, UL1598A

CSA Standard

CSA C22.2 No.137

Standard Materials

- Lamp housing and adapter – die cast aluminum with anti-corrosion powder coat
- Lens – heat-resistant and impact-resistant tempered glass
- Gaskets – silicone
- External hardware – carbon steel or stainless steel
- Factory sealed, no external seals required

LED System

- High intensity discrete power emitters
- Standard: cool white (5000K); optional: warm white (3000K); nature white(4000K)
- Brand-new LED chips

LED Driver

Input Voltage	100–277V AC 50/60Hz,	
	200–480V AC 50/60Hz	
THD	<20%	
Power Factor	0.98 (220V/full load)	
Protection	Short Circuit/Over Voltage/Over Heat	
	Surge Protection	Line to line 4KV
		Line to earth 10KV
IP	IP66	

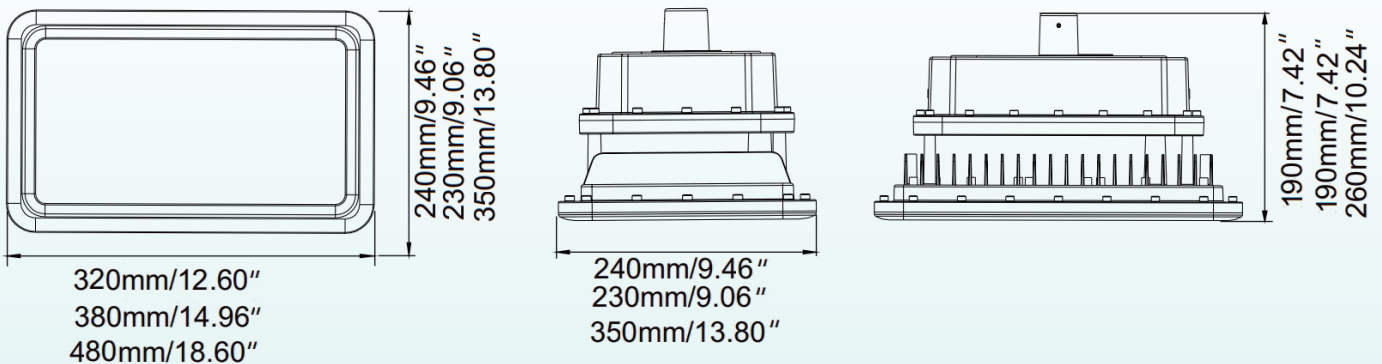
Catalogue Numbering System

SHF-IIA	20	B	N	W	V	1	E
Lamp	Mounting Type	Cable Entry	Color Temperature	Voltage	Beam angle	Emergency	
20–20W	B–Bracket	N–NPT3/4"	C–Cool(5000K)	V1:100–277V AC	1–120°		
40–40W		M–M25x1.5	N–Nature(4000K)	V2: 200–480V AC	2–90°		
60–60W			W–Warm(3000K)		3–60°		
80–80W					4–40°		
100–100W							
120–120W							
150–150W							
200–200W							
250–250W							
300–300W							
350–350W							
400–400W							

Technical Datasheet

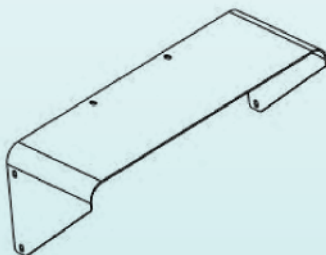
Classification	Class I,Div.2,Group A,B,C,D Class II,Div.1,Group E,F,G Class III Zone 2;Zone 21&22												
Standards	IEC60079-0, IEC60079-1, IEC60079-31, IEC60598-2-1 EN60079-0, EN60079-1, EN60079-31, EN60598-2-1 UL844, UL1598, UL1598A CSA C22.2 No.137												
Ex-mark	II 3G Ex ec IIC T6/T3 Gc II 2D Ex tb IIIC T85°C/T103°C Db IP66												
Rated Voltage	AC 100-277V 50/60Hz AC 200-480V 50/60Hz												
Rated Wattage(W)	20W	40W	60W	80W	100W	120W	150W	200W	250W	300W	350W	400W	
Luminous Flux(LM)	2800	5600	8400	11200	14000	16800	21000	28000	35000	45000	49000	56000	
Color Temperature	2900K-5000K												
IP Grade	Wet Locations, Type 4X, IP66												
Ambient Temperature	-40° C ~ +55° C / -40° F ~ +131° F												
Cable Entry	M25*1.5 or NPT3/4"												
Terminals	Terminals blocks ≤2.5mm ² , cable diameter 10-14mm												
Installation	Bracket												

Mounting Options & Dimensions (mm/inch)



Optional Accessories

Glare Shield Visor



Wire Guard

