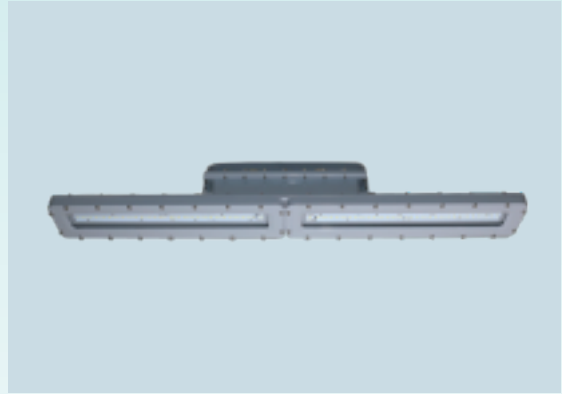


SLL-I Series LED Linear Luminaires

Class I, Div.1, Group C, D	Hazardous Locations
Class II, Div.1, Group E, F, G	UL/cUL Listed
Class III	Wet Locations, Type 4X, IP66
Class I, Zone 1, Zone 2, Ex d	IECEX/ATEX



Model	Luminous Flux(LM)	Wattage	Lumen/Wattage	Equivalent Fluorescent luminaire
SLL-I-20W	2800	20W	140	2x36W
SLL-I-40W	5600	40W	140	3x36W
SLL-I-60W	8400	60W	140	2x58W
SLL-I-80W	11200	80W	140	3x58W
SLL-I-100W	14000	100W	140	-
SLL-I-120W	16800	120W	140	-



Applications

- For areas with mounting heights of 10–33ft (3–10m)
- Oil and gas refineries, drilling rigs, petrochemical facilities, land-based and offshore rigs, mining, areas include derrick, mast, SCR house, top drive, operator's house, power and pump stations, and where flammable vapors, gases, ignitable dusts, fibers or flying are present
- Locations requiring continuous and consistent light levels in extreme ambient temperatures
- Where extremely corrosive, wet, dusty, hot and/or cold conditions exist; Type 4X, marine, wet locations and hose-down environments
- Classified and hazardous locations

Features



- Instant illumination and restrike, cold temperature operation/no warm-up required
- Independent chamber for LED module, driver and wiring, high reliability and easy installation and maintenance
- Latest LED Technology: Cree/Nichia high efficiency LED exceed 160lm/w, fixture lumen efficiency exceed 140 lm/w
- High Reliability Driver: high reliability, efficiency exceed 98%, design for harshest environment
- Energy-efficient technology: up to 75% energy savings over HID fixtures
- Excellent Heat Sink Dissipation Performance: Lower LED and driver temperature, longer service life
- Rugged, long life, maintenance-free, Ni-MH battery, last for emergency operation time at 10W or 20W LED for 120 minutes or 180 minutes
- Operating Ambient Temperature: -40° C ~ +55° C
- Beam Angel: standard diffused, 120° .

International Certifications

IEC Standard

IEC60079-0, IEC60079-1, IEC60079-31, IEC60079-2-1
 Ex db IIB T4 Gb
 Ex tb IIIB T63.5°C Db IP66
 Zone 1, Zone 2; Zone 21, Zone 22
 IP66

EU Standard

EN60079-0, EN60079-1, EN60079-31, EN60079-2-1
 II 2 G Ex db IIB T6 Gb
 II 2 D Ex tb IIIB T63.5°C Db IP66
 Zone 1, Zone 2; Zone 21, Zone 22
 IP66

NEC & CEC Standard

Class I, Div. 1, Group C, D
 Class II, Div. 1, Group E, F, G
 Class III
 Wet Locations, Type 4X, IP66

UL Standard

UL844, UL1598, UL1598A

CSA Standard

CSA C22.2 No.137

Standard Materials

- Lamp housing and adapter – die cast aluminum with anti-corrosion powder coat
- Lens – heat-resistant and impact-resistant tempered glass
- Gaskets – silicone
- External hardware – carbon steel or stainless steel
- Factory sealed, no external seals required

LED System

- High intensity discrete power emitters
- Standard: cool white (5000K); optional: warm white (3000K); nature white(4000K)
- Brand-new LED chips

LED Driver

Input Voltage	100–277V AC 50/60Hz	
	200–480V AC 50/60Hz	
THD	<20%	
Power Factor	0.98 (220V/full load)	
Protection	Short Circuit/Over Voltage/Over Heat	
	Surge Protection	Line to line 4KV Line to earth 10KV
IP	IP66	

Catalogue Numbering System

SLL-I

20

C

N

C

E

Lamp

Mounting Type

Cable Entry

Color Temperature

Emergency

20–20W

40–40W

60–60W

80–80W

100–100W

120–120W

C–Ceiling Bracket

W–Wall Bracket

N–NPT3/4"

M–M25x1.5

C–Cool(5000K)

N–Nature(4000K)

W–Warm(3000K)

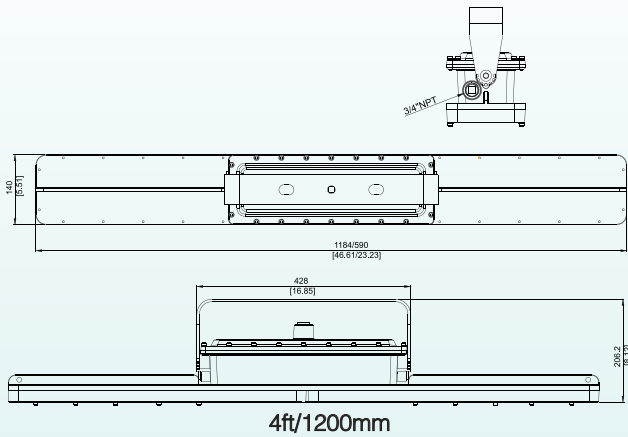
EM1:120min

EM2:180min

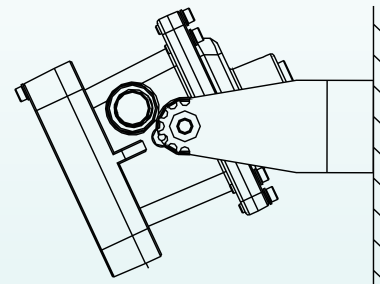
Technical Datasheet

Classification	Class I,Div.1,Group C,D Class II,Div.1,Group E,F,G Class III Class I, Zone 1,Zone 2,Ex d					
Standards	IEC60079-0, IEC60079-1, IEC60079-31, IEC60598-2-1 EN60079-0, EN60079-1, EN60079-31, EN60598-2-1 UL844, UL1598, UL1598A CSA C22.2 No.137					
Ex-mark	Ex db IIB T4 Gb Ex tb IIIB T63.5°C Db IP66					
Rated Voltage	AC 100-277V 50/60Hz					
Rated Wattage(W)	20W	40W	60W	80W	100W	120W
Luminous Flux(LM)	2800	5600	8400	11200	14000	16800
Emergency Duration	120min or 180min					
Battery Specification	Ni-MH battery					
Color Temperature	3000K-5000K					
IP Grade	Wet Locations, Type 4X, IP66					
Ambient Temperature	-40° C ~ +55° C / -40° F ~ +131° F					
Cable Entry	M25*1.5 or NPT3/4" (adaptor for M20x1.5,NPT1" ,NPT1 1/2")					
Terminals	Terminals blocks ≤2.5mm ² , cable diameter 10-14mm					
Installation	Ceiling Bracket /Wall Bracket					

Mounting Options & Dimensions (mm/inch)



Wall Bracket Mounting



Ceiling Bracket Mounting

