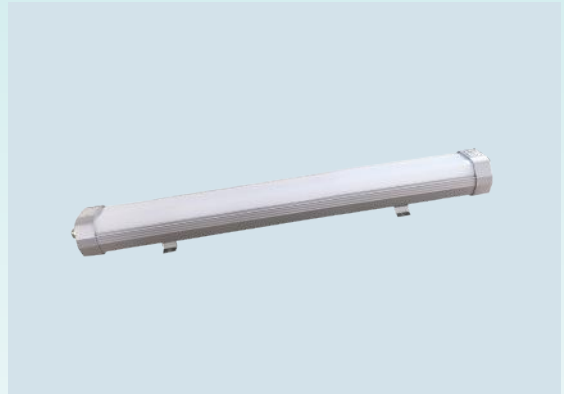


SLL-IIA Series LED Linear Luminaires

Class I, Div.2, Group A, B, C, D Hazardous Locations
 Class II, Div.2, Group E, F, G UL/cUL Listed
 Class III Wet Locations, Type 4X, IP66
 Zone 2; Zone 21&22 IECEx/ATEX



Model	Luminous Flux(LM)	Wattage	Lumen/Wattage	Equivalent Fluorescent luminaire
SLL-IIA-36W	4680	36W	130	3x36W
SLL-IIA-56W	7280	36W	130	2x58W



Applications

- For areas with mounting heights of 10–33ft (3–10m)
- Oil and gas refineries, drilling rigs, petrochemical facilities, land-based and offshore rigs, mining, areas include derrick, mast, SCR house, top drive, operator' s house, power and pump stations, and where flammable vapors, gases, ignitable dusts, fibers or flying are present
- Locations requiring continuous and consistent light levels in extreme ambient temperatures
- Where extremely corrosive, wet, dusty, hot and/or cold conditions exist; Type 4X, marine, wet locations and hose-down environments
- Classified and hazardous locations

Features



- The enclosure is die cast aluminum with anti-corrosion powder coat.
- Unique seal structure and gasketed housing ensures the great functions of water proof and dust proof in the harshest and corrosive environment.
- Built-in LED driver, short circuit protection.
- The power factor is more than 0.98.Wide range of input voltage.
- Low cost for maintenance, built-in LED driver for LED lamp tube.
- Back-up emergency battery for emergency lighting when necessary. Rugged, long life, maintenance-free, Ni-MH battery, last for emergency operation time at 18W LED for 120 minutes or 180 minutes.
- Lightweight, compact size and mounting feet ease installation and allow placement in confined area.

Certifications and Compliances

IEC Standard

IEC60079-0, IEC60079-15, IEC60079-31
 Ex nR IIC T6/T5 Gc
 Ex tb IIIC T80°C/T95°C Db IP66
 Zone 2
 Zone 21, Zone 22
 IP66

EU Standard

EN60079-0, EN60079-15, EN60079-31
 II 3 G Ex nR IIC T6/T5 Gb
 II 2 D Ex tb IIIC T80°C/T95°C Db IP66
 Zone 1, Zone 2
 Zone 21, Zone 22
 IP66

NEC & CEC Standard

Class I, Div.2, Group A, B, C, D
 Class II, Div.2, Group E, F, G
 Class III
 Wet Locations, Type 4X, IP66

UL Standard warm white (3000K)

UL844, UL1598, UL1598A

CSA Standard

CSA C22.2 No.137

Standard Materials

- Lamp housing and adapter – die cast aluminum with anti-corrosion powder coat
- Lens – Polycarbonate
- Gaskets – silicone
- External hardware – carbon steel or stainless steel
- Factory sealed, no external seals required

LED System

- High intensity discrete power emitters
- Standard: cool white(5000K); Optional:warm white(3000K); nature white(4000K)
- Brand–new LED chips

LED Driver

Input Voltage	100–277V AC 50/60Hz	
	277–480V AC 50/60Hz	
THD	<20%	
Power Factor	0.98 (220V/full load)	
Protection	Short Circuit/Over Voltage/Over Heat	
	Surge Protection	Line to line 4KV
		Line to earth 10KV
IP	IP66	

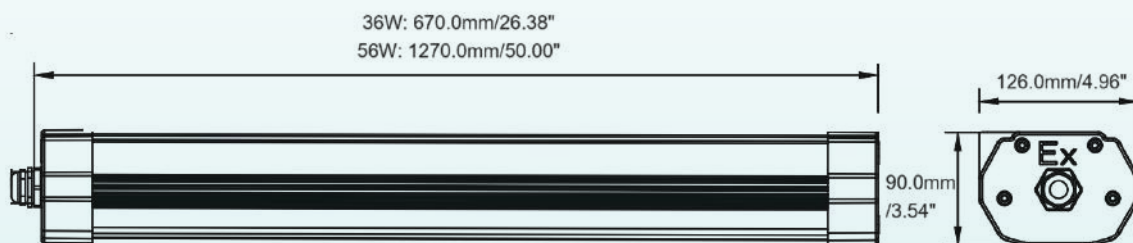
Catalogue Numbering System

SLL-III-A-	20	C	N	C	V1	V1
Lamp	Mounting Type	Cable Entry	Color Temperature	Voltage	Emergency	
36–36W	C–Ceiling Bracket	N–NPT3/4”	C–Cool(5000K)	V1:100–277V AC	EM1:120min	
56–56W	W–Wall Bracket	M–M25x1.5	N–Nature(4000K)	V2:277–480V AC	EM2:180min	
	L–Clamp		W–Warm(3000K)			
	P–Pendant					
	S1–Guard Stanchion					
	S2–Flange Stanchion					

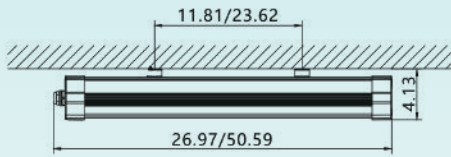
Technical Datasheet

Classification	Class I, Div.2, Group A,B,C,D Class II, Div. 1, Group E,F,G Class III Zone2; Zone 21&22	
Standards	IEC60079-0, IEC60079-15, IEC60079-31 EN60079-0, EN60079-15, EN60079-31 UL844, UL1598, UL1598A CSA C22.2 No.137	
Ex-mark	II 3 G Ex nR IIC T6/T5 Gb II 2 D Ex tb IIIC T80°C/T95°C Db IP66	
Rated Voltage	AC 100-277V 50/60Hz AC 277-480V 50/60Hz	
Rated Wattage(W)	36W	56W
Luminous Flux(LM)	4680	7280
Emergency Duration	120min or 180min	
Battery Specification	Ni-MH battery	
Color Temperature	3000K-5000K	
IP Grade	Wet Locations, Type 4X, IP66	
Ambient Temperature	-40° C ~ +55° C / -40° F ~ +131° F	
Cable Entry	M25*1.5 or NPT3/4" (adaptor for M20x1.5, NPT1" , NPT1 1/2")	
Terminals	Terminals blocks ≤2.5mm ² , cable diameter 10-14mm	
Installation	Ceiling Bracket /Wall Bracket	

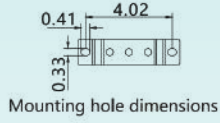
Mounting Options & Dimensions (mm/inch)



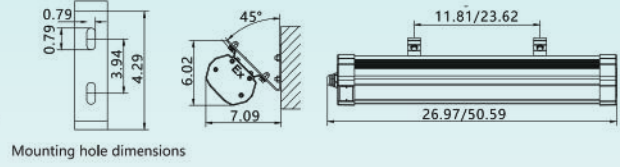
SLL-IIA



1.C-Ceiling Type

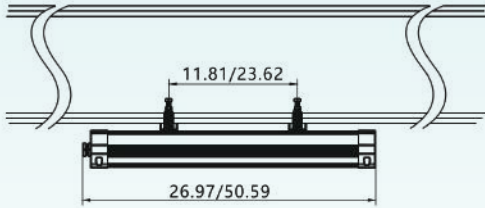


Mounting hole dimensions

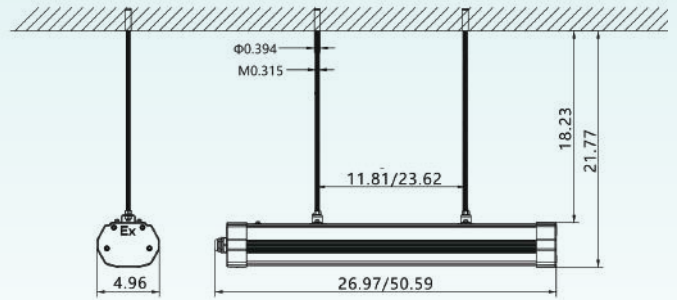
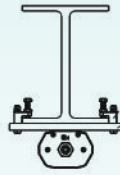


Mounting hole dimensions

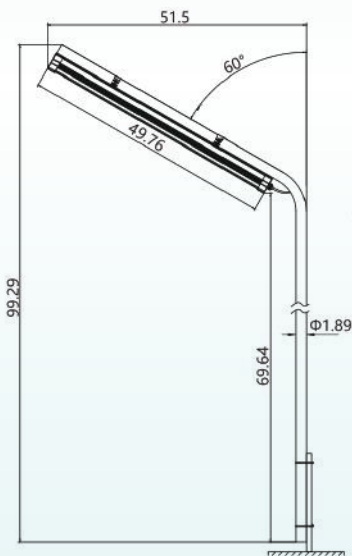
2.W-Wall Type



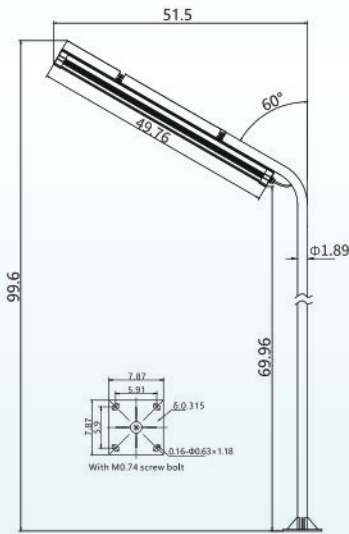
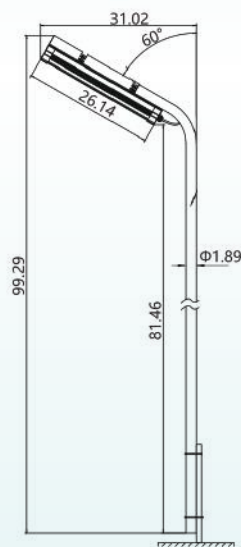
3.L-Clamp Type



4.P-Pendant Type



5.S1-Guard Stanchion Type



6.S2-Flange Stanchion Type

