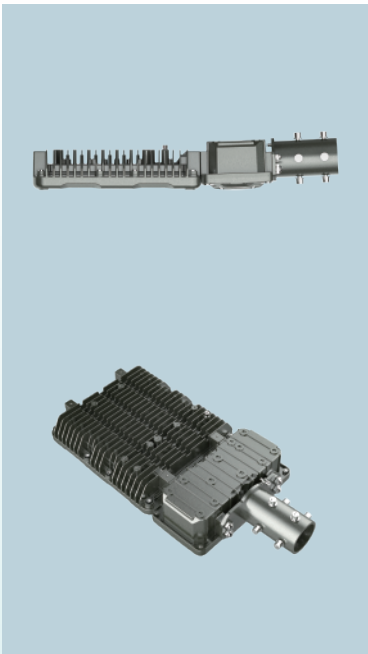


SSL Series LED Street Lights

Class I, Div.1, Group A, B, C, D Hazardous Locations
 Class II, Div.1, Group E, F, G Wet Locations, Type 4X, IP 66
 Class III
 Zone 1&2; Zone21&22



Model	Lumens (lm)	Wattag	Lumens per Watt (lm/W)	Equivalent HID Luminaire
SSL-80W	11200	80W	120	320-400W
SSL-100W	14000	100W	120	400W
SSL-120W	16800	120W	120	400-600W
SSL-150W	21000	150W	120	600-750W
SSL-200W	24000	200W	120	750-1000W
SSL-250W	30000	250W	120	-
SSL-300W	36000	300W	120	-



Applications

- High lumen output for installation in high mounting heights of 10-44 feet/3-13m
- Oil and gas refineries, drilling rigs, petrochemical facilities, food and beverage facilities, platforms, loading docks, tunnels, outdoor wall and stanchion mounted general area lighting, and where flammable vapors, gases, ignitable dusts, fibers or flying are present
- Used in internal street, road, access and exit in heavy industry plant especially in wet, corrosive condition, street lights ISL series is made of high impact resistance aluminum alloy housing with high lumen led lamp. It also can be used in outdoor warehouse, loading dock, seaport as street lighting where high temperature, corrosion, moisture, dust exist frequently. It also can be used as cobra head street lights, led streetlights, sodium light to replace HPS street light in general usage application.
- Locations requiring continuous and consistent light levels in extreme ambient temperatures
- Where extremely corrosive, wet, dusty, hot and/or cold conditions exist; Type 4X, marine, wet location and hose-down environments
- Classified and hazardous locations

Features

Looked as a shoebox and street light shape with a fitted connection module for lighting pole to install on the inner and outer road of hazardous locations, SSL series explosion proof street light, also called flame proof street light, is a particular kind to fill in the market need blanks for road lighting in refinery plants areas to be able for quick connection to any kinds of lighting pole with different heights.

- One-time die-cast aluminum molding for the housing structure
- Professional overall arrangement for led chips for utmost lumens efficiency
- Considerate connection head to fit in lighting pole
- High resistance Ex d flame proof housing for led driver



Standard Materials

- Housing: Die cast aluminum with anti-corrosion powder coat, grey
- Lens: Heat-resistant and impact-resistant tempered glass
- Gaskets: Silicone

Compliances

IEC Standard

IEC60079-0, IEC60079-1,
IEC60079-31, IEC60598-2-1
Ex d e mb IIC T6 Gb
Ex t IIIC T85°C Db IP66
Zone 1, Zone 2
Zone 21, Zone 22

EU Standard

EN60079-0, EN60079-1,
EN60079-31, EN60598-2-1
⚠ II 2 G Ex d e mb IIC T6 Gb
⚠ II 2 D Ex t IIIC T85°C Db IP66
Zone 1, Zone 2
Zone 21, Zone 22

NEC & CEC Standard

Class I, Div.1, Group A, B, C, D
Class II, Div.1, Group E, F, G
Class III

UL Standard

UL844, UL1598, UL1598A

CSA Standard

CSA C22.2 No.137

Technical Datasheet

Rated Voltage	100-277V AC 50/60Hz				277-480V AC 50/60Hz			
Wattage(W)	80W	100W	120W	150W	200W	250W	300W	
Lumens(lm)	9600	12000	14400	18000	24000	30000	36000	
Color Temperature	5000K/4000K/3000K							
IP Grade	Wet Locations, Type 4X, IP66							
Ambient Temperature	-40°C ~ +55°C / -40° F ~ +131° F							
Cable Entry	NPT 3/4" or M25X1.5 (adaptor for M20x1.5, NPT 1" , NPT1 1/2")							
Terminals	Terminal blocks ≤ 2.5mm ² , cable diameter 10- 14mm							
Mounting Type	Stanchion							
Beam Angle	120° / 60° / 45° / 30°							

Catalogue Numbering System

SSL-

80



Lamp

N



Cable Entry

C



Mounting Type

W



Color Temperature

V1



Voltage

1



Beam Angle

80-80W	200-200W
100-100W	250-250W
120-120W	300-300W
150-150W	

N-NPT 3/4"
M-M25x1.5

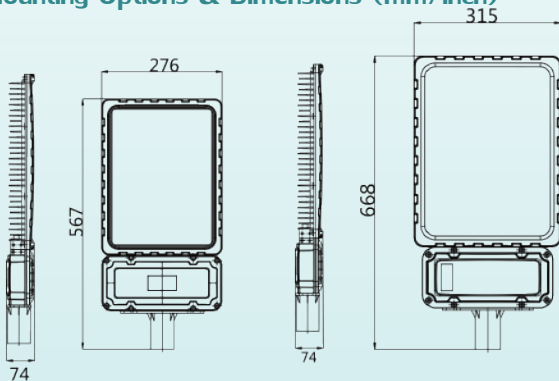
S- Stanchion

C-Cool(5000K)
N-Nature(4000K)
W-Warm(3000K)

V1:100-277V AC
V2:277-480V AC

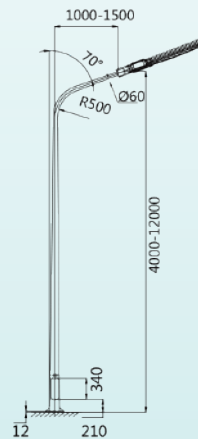
1-120°
2-60°
3-45°
4-30°

Mounting Options & Dimensions (mm/inch)



ISL-(80-150W)

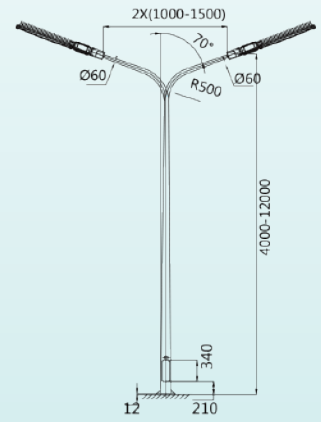
ISL-(200-300W)



S1: Stanchion Type 1



S2: Stanchion Type 2



S3: Stanchion Type 3