



SSP-P Series Explosion Proof Receptacle

Class I Division 2, Group A, B, C, D	Zone 1, Zone 2
Class II Division 1, Group E, F, G	Zone 21, Zone 22
Class III	Type 4X, IP66
Ex d e IIC T6 Gb	Max.125A
Ex tb IIIC T80°C Db IP66	Built-in interlocking device

Applications

- Usage by application: Depends on the application field, explosion proof enclosure can be used in refinery plants, petroleum plants, chemical plants, metal processing plant, mining plants, waste water plants and anywhere flammable gas, vapor, mist and dust present.
- Function: To be available plug-in power on device, explosion proof receptacle connect the contact of electricity to any load with plugs under the explosion protected condition closely for lighting and especially for three phase high voltage devices.

Features

- As a class 1 division 2 receptacle, SSP-P series explosion proof receptacle have increased safety glass reinforced plastic housing for both receptacle and plug and flame proof and damage protection for the electrical contacts. By inserting the explosion proof plug, the explosion proof receptacle can be used as explosion proof socket, explosion proof plug and socket, explosion proof electrical outlets for fixed or portable electrical equipment during maintenance or plant turnarounds.
 - Glass reinforced plastic housing with various size for optional for rated current 16A, 32A, 63A and 125A.
 - Same color for socket and relative plug to avoid plug-in mistake

Technical Datasheet

Compliances	IEC Standard		EU Standard			NEC & CEC Standard	
	IEC60079-0, IEC60079-1, IEC60079-7, IEC60079-31 Ex d e IIC T6 Gb Ex tb IIIC T80°C Db IP66 Zone 1, Zone 2 Zone 21, Zone 22		EN60079-0, EN60079-1, EN60079-7, EN60079-31 ⚠ II 2 G Ex d e IIC T6 Gb ⚠ II 2 D Ex tb IIIC T80°C Db IP66 Zone 1, Zone 2 Zone 21, Zone 22			Class I, Div.2, Group A, B, C, D Class II, Div.1, Group E, F, G Class III	
Material	Glass Reinforced Plastic, black						
Rated Voltage	600-690V AC	480-690V AC	380-145V AC	200-250V AC	100-130V AC	DC 24V	DC 36V
Rated Current	16A	32A		63A		125A	
IP Grade	Wet Locations, Type 4X, IP66						
Ambient Temperature	-40°C ~ +55°C / -40° F ~ +131° F						
Cable Entry	Metric (standard) or NPT thread type plugs (standard) or cable glands						

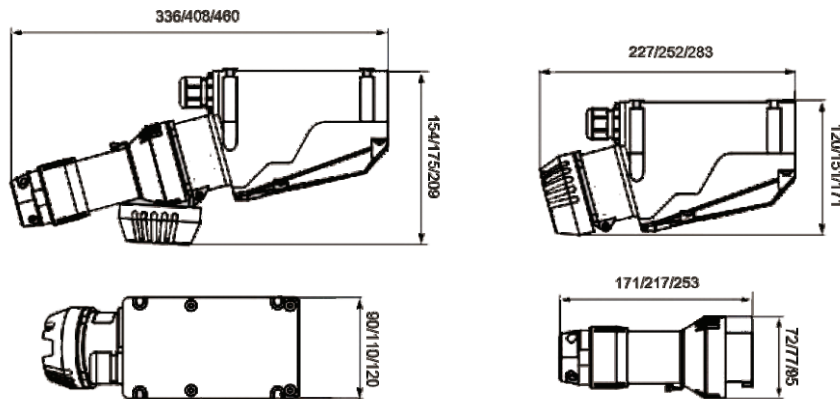
Type	2P	3P (2P+PE or 1P+N+PE)	4P (3P+PE)	5P (3P+N+PE)
------	----	--------------------------	---------------	-----------------

Catalogue Numbering System

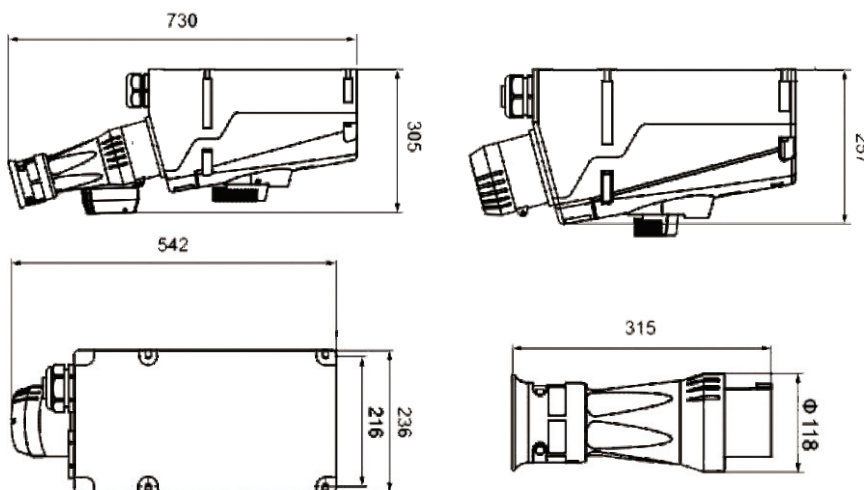
SSP-P-

<u>16</u>	<u>250</u>	<u>2P</u>	<u>S</u>
↓	↓	↓	↓
Rated Current	Rated Voltage	Number of Pole	Rated Voltage
16-16A	690:600-690V AC	2P	S-Socket
32-32A	500:480-500V AC	3P(2P+PE / 1P+N+PE)	P-Plug
63-63A	415:380-415V AC	4P(3P+PE)	
125-125A	250:200-250V AC	5P(3P+N+PE)	
	130:100-130V AC		
	36:DC 36V		
	24:DC 24V		

Mounting Options & Dimensions (mm/inch)



SSP-P-16A,32A



SSP-P-63A,125A