

## SVM Series LED High Bay Luminaires

Class I, Div.2, Group A, B, C, D Hazardous Locations  
 Class II, Div. 1, Group E, F, G Wet Locations, Type 4X, IP 66  
 Class II, Div. 2, Group E, F, G  
 Class III  
 Zone 2; Zone21&22



Model	Luminous Flux(LM)	Wattage	Lumen/Wattage	Equivalent HID luminaire
SVM-30W	4200	30W	140	70-100W
SVM-50W	7000	50W	140	100-150W
SVM-80W	11200	80W	140	175-250W
SVM-100W	14000	100W	140	320-400W
SVM-120W	16800	120W	140	400W
SVM-150W	21000	150W	140	400-600W
SVM-180W	25200	180W	140	600-750W
SVM-200W	28000	200W	140	750-1000W
SVM-240W	33600	240W	140	1000W-



### Applications

- Dramatic advances in technology for LED luminaires broadened the applicability of this type of illumination, creating an exciting new option for hazardous, industrial and other highly demanding locations. Compared to traditional light sources, LED luminaires can deliver longer life, enhanced energy efficiency, greater eco-friendliness, lowered maintenance demands and equal or better quality of light.
- Featuring nine mounting types, optional color temperature, the state-of-the-art LED achieves out-standing versatility and flexible mounting applications. Allowing the end users and engineering firms to maximize spacing, while minimizing the number of fixtures required in a project, to improve light distribution while reducing project costs.
- Rated for Class I, Division 2 and Class II, Class III hazardous locations for CSA certification, marine and wet locations, certificate for ATEX Zone 2, Zone 21&22. Applicable for oil and gas refineries, petrochemical facilities, drilling rigs, platforms, food and beverage facilities, loading docks, tunnels, outdoor wall and stanchion mounted general area lighting, indoor/outdoor spotlighting, and where flammable vapors, gases, ignitable dusts, fibers or flying are present.

### Features

- Independent chamber for LED module, driver and wiring, high efficiency LED exceeds 170lm/w fixture lumen efficiency exceeds 140lm/w. High Reliability Driver, efficiency exceeds 98%. Nine lumen outputs, ranging from 30W-240W(HID Equivalences of 70W-1000W),4200m-33600lm.
- Quick Retrofit Adaptor, all mounting parts can be connected to an universal lighting housing, easy installation and maintenance. Six mounting options, Stanchion 25°, Stanchion Straight, Pendant, Ceiling, Wall, Trunnion.
- Three color temperature options, warm 3000K, neutral 4000K and cool 5000K, suitable for different latitude applications.
- Two input voltages, 100-277V AC 50/60Hz, 277-480 AC 50/60Hz, applied for power grid of different countries and states.
- Customized adapter options for cable wiring and steel pipe wiring connections layout.
- Customized back-up emergency battery 120 minutes or 180 minutes.
- Extra protection with corrosion-resistant stainless steel wiring guard.

## Compliances

### IEC Standard

IEC60079-0, IEC60079-15, IEC60079-31

Ex nR IIC T6/T5 Gc


Ex tb IIIC T80°C/T95°C Db IP66

Zone 2; Zone 21, Zone 22

IP66

### EU Standard

EN60079-0, EN60079-15, EN60079-31

 II 3G Ex nR IIC T6/T5 Gc

 II 2D Ex tb IIIC T80°C/T95°C Db IP66

Zone 2; Zone 21, Zone 22

IP66

### NEC & CEC Standard

Class I, Division 2, Groups A, B, C, D

Class II, Division 1, Groups E, F, G

Class II, Division 2, Groups F, G

Class III

Wet Locations, Type 4X, IP66

### UL Standard

UL844, UL 1598, UL1598A, UL8570, UL924,

UL50, UL50E

## Technical Datasheet

Classification	Class I, Division 2, Groups A, B, C, D Class II, Division 1, Groups E, F, G Class II, Division 2, Groups F, G Class III Zone 2; Zone 21&22								
Standards	IEC60079-0, IEC60079-15, IEC60079-31 EN60079-0, EN60079-15, EN60079-31 UL Standard UL844, UL 1598, UL1598A, UL8570, UL924, UL50, UL50E CSA Standard CSA C22.2 No.137-18, CSA C22.2 No.250.0, CSA C22.2 No.250.13-30, CSA C22.2 No.141-15, CSA C22.2 No.94.1:15, CSA C22.2 No.94.2:20								
Ex-mark	II 3G Ex nR IIC T6/T5 Gc II 2D Ex tb IIIC T80°C/T95°C Db IP66								
Rated Voltage	AC 100-277V 50/60Hz AC 220-480V 50/60Hz DC 18-36V								
Rated Wattage(W)	30W	50W	80W	100W	120W	150W	180W	200W	240W
Luminous Flux(LM)	4200	7000	11200	14000	16800	21000	25200	28000	33600
Color Temperature	2900K-5000K								
IP Grade	Wet Locations, Type 4X, IP66								
Ambient Temperature	-40° C ~ +60° C / -40° F ~ +140° F								
Cable Entry	M25x1.5 or NPT 3/4"								
Terminals	Terminals blocks ≤ 2.5mm <sup>2</sup> , cable diameter 10-14mm								
Installation	Stanchion 25°, Stanchion Straight, Pendant, Ceiling, Wall, Trunnion								
Beam Angle	40°, 60°, 90°, 120°								

## CSA Standard

CSA C22.2 No.137-18, CSA C22.2 No.250.0:21, CSA C22.2 No.250.13-30, CSA C22.2 No.141-15, CSA C22.2 No.94.1:15, CSA C22.2 No.94.2:20

## Standard Materials

- Lamp housing and adapter – die cast aluminum with anti-corrosion powder coat
- Lens – heat-resistant and impact-resistant tempered glass
- Gaskets – silicone
- External hardware – carbon steel or stainless steel

## LED Driver

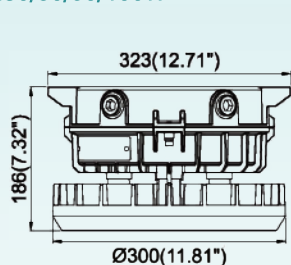
Input Voltage	100-277V AC 50/60Hz	
	277-480V AC 50/60Hz	
THD	<20%	
Power Factor	0.98(220V/full load)	
Protection	Short Circuit/Over Voltage/Over Heat	
	Over Heat/Surge Protection	
	Surge Protection	Line to line 4KV Line to earth 10KV



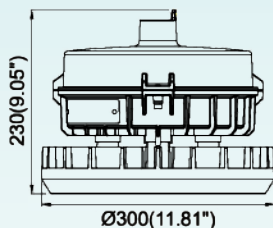
## Mounting Options & Dimensions (mm/inch)

Six mounting types, which means you can hang your luminaries how and where you need them most, and available to make installing lighting around cabling, pipes and process equipment as easy as possible.

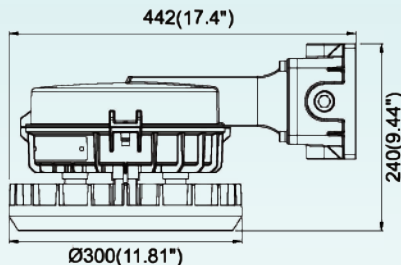
Power: 30/50/80/100W



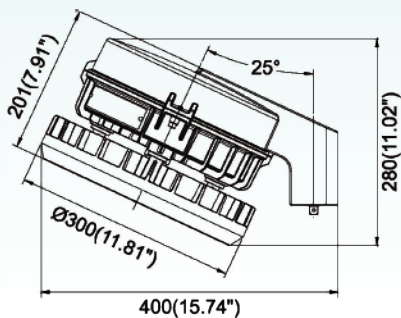
C-Ceiling Type



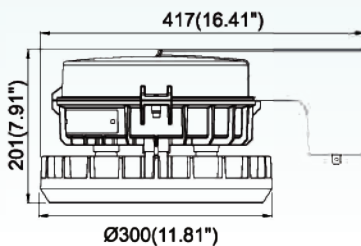
P-Pendant Type



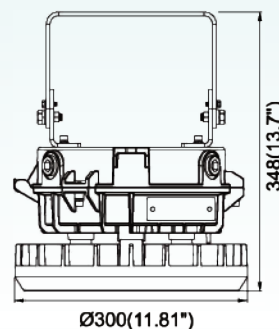
Type W-Wall Type



S1-Stanchion 25° Type

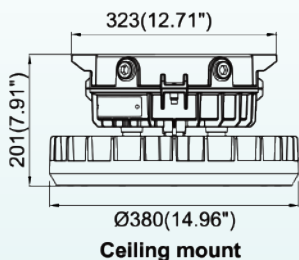


S2-Stanchion 90° Type

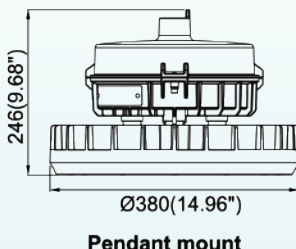


T-Trunion Type

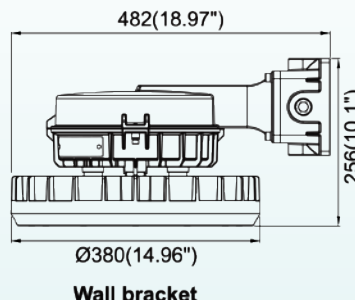
Power: 120/150/180/200/240W



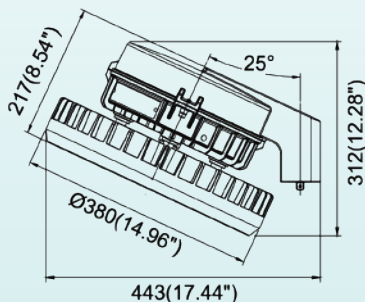
C-Ceiling Type



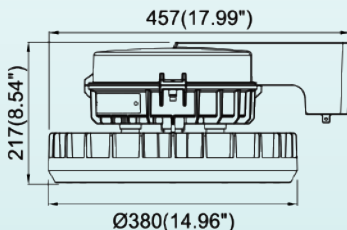
P-Pendant Type



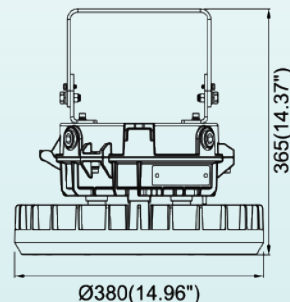
Type W-Wall Type



S1-Stanchion 25° Type



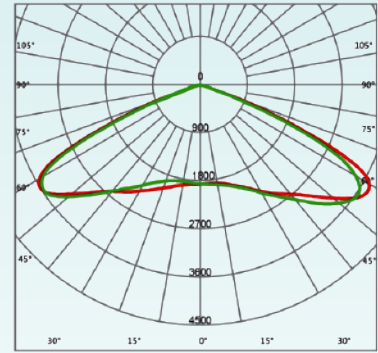
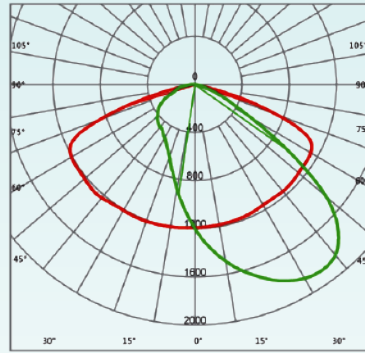
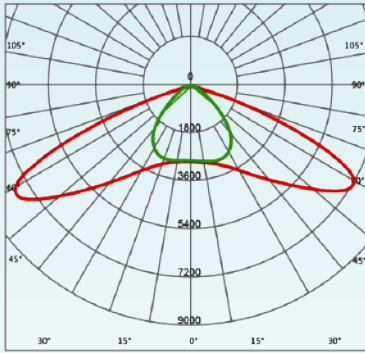
S2-Stanchion 90° Type



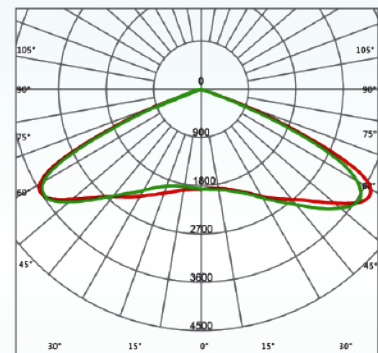
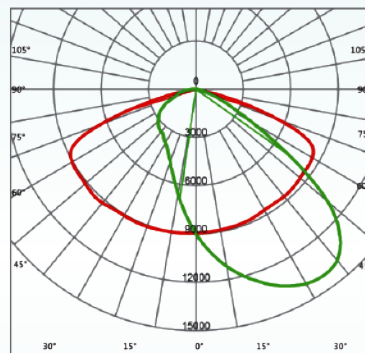
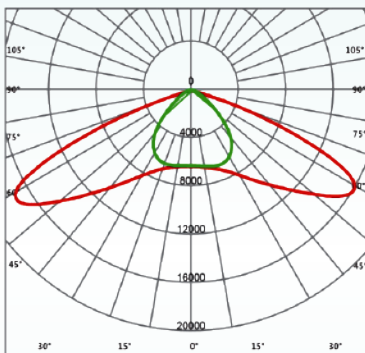
T-Trunion Type

## Photometric Data

Power:30/50/80/100W



Power:120/150/180/200/240W



## Product Ordering Guide

**SVM - 30W**

**C**

**N**

**W**

**V**

**1**

**(E)**

Lamp

Mounting Type

Cable Entry

Color Temp.

Voltage

Beam Angle

Emergency

30-30W

S1-Stanchion 25°

N-NPT3/4"

C-Cool(5000K)

V1:100-277V AC

1-120°

50-50W

S2-Stanchion 90°

M-M25x1.5

N-Nature(4000K)

V2:277V-480V AC

2-90°

80-80W

P-Pendant

W-Warm(3000K)

V3:18-36V DC

3-60°

100-100W

C-Ceiling

4-40°

120-120W

W-Wall

150-150W

T-Trunnion

180-180W

200-200W

240-240W